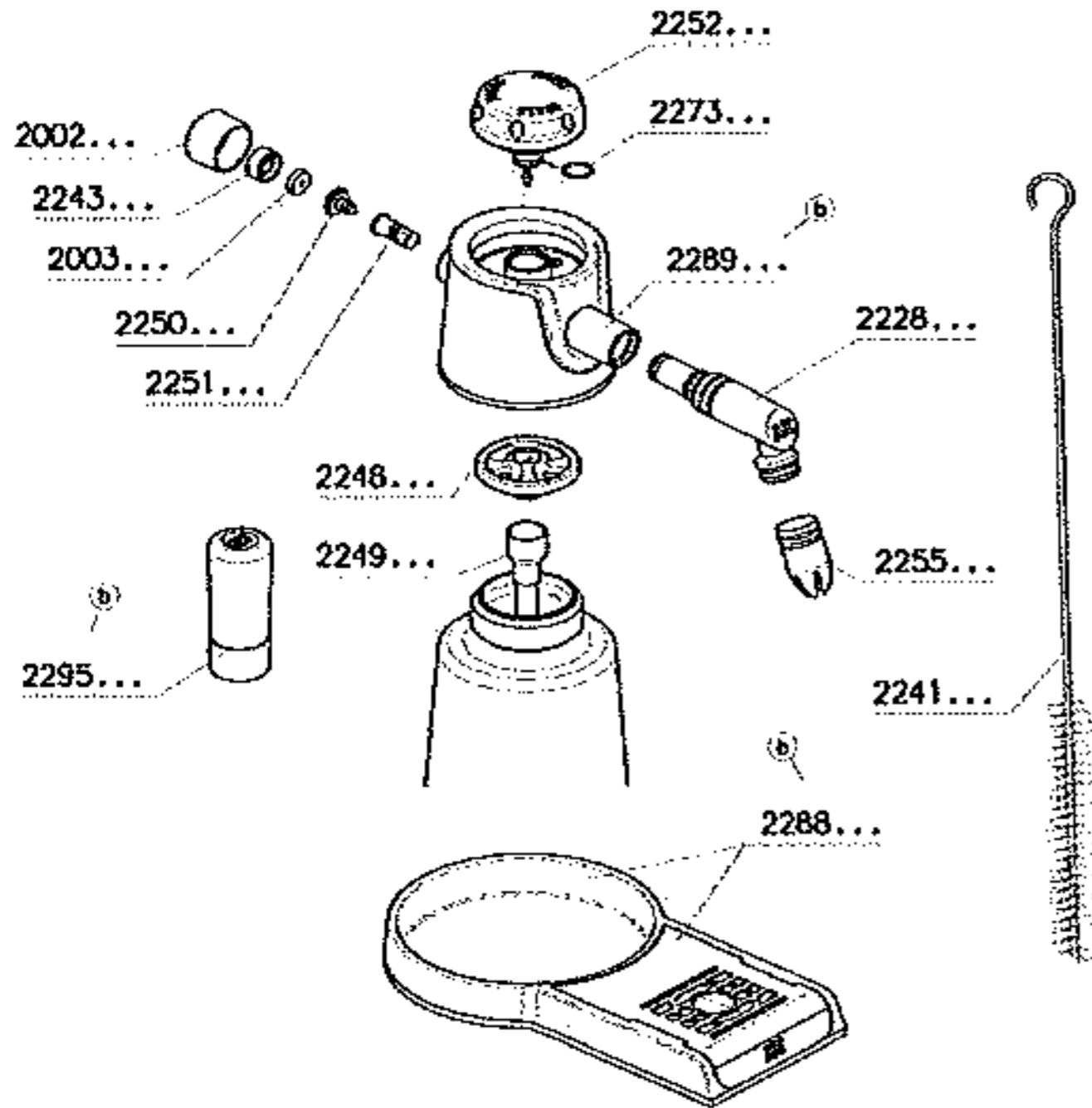


CGI3500

CGI3500



| STOCK CODE | DESCRIPTION   | MAN.PART NUMBER / DRAWING REF |
|------------|---|-------------------------------|
| XCGI8003   | C/GUN (THERMO EXPRESS) - BOTTLE SEAL                    | 2248 003                      |
| XCGI2005   | C/GUN (THERMO WHIP & THERMNO EXPRESS) CAP SILVER        | 2002 005                      |
| XCGI5005   | C/GUN (THERMO EXPRESS) CHARGER HOLDER METAL - NEW BLACK | 2295 005                      |
| XCGI5003   | C/GUN (THERMO EXPRESS) DISPENSING NOZZLE                | 2255 003                      |
| XCGI8001   | C/GUN (THERMO EXPRESS) DRIP TRAY - NEW BLACK            | 2288 001                      |
| XCGI3005   | C/GUN (THERMO/EXPORT EXPRESS) - FIXING RING METAL       | 2243 005                      |
| XCGI2305   | C/GUN (THERMO WHIP) FRONTAL GASKET                      | 2003 005                      |
| XCGI9001   | C/GUN (THERMO EXPRESS) HEAD METAL - NEW BLACK           | 2289 001                      |
| XCGI9003   | C/GUN (THERMO EXPRESS) NOZZLE ADAPTER                   | 2228 003                      |
| XCGI3001   | C/GUN (THERMO EXPRESS) O-RING 11 X 1,5                  | 2273 001                      |
| XCGI0005   | C/GUN (THERMO EXPRESS) PIERCING UNIT                    | 2250 005                      |
| XCGI2003   | C/GUN (THERMO EXPRESS) - PUSH BUTTON                    | 2252 003                      |
| XCGI4003   | C/GUN (THERMO EXPRESS) - RISER TUBE                     | 2249 003                      |
| XCGI1005   | C/GUN (THERMO/EXPORT EXPRESS) - VALVE BODY              | 2251 005                      |