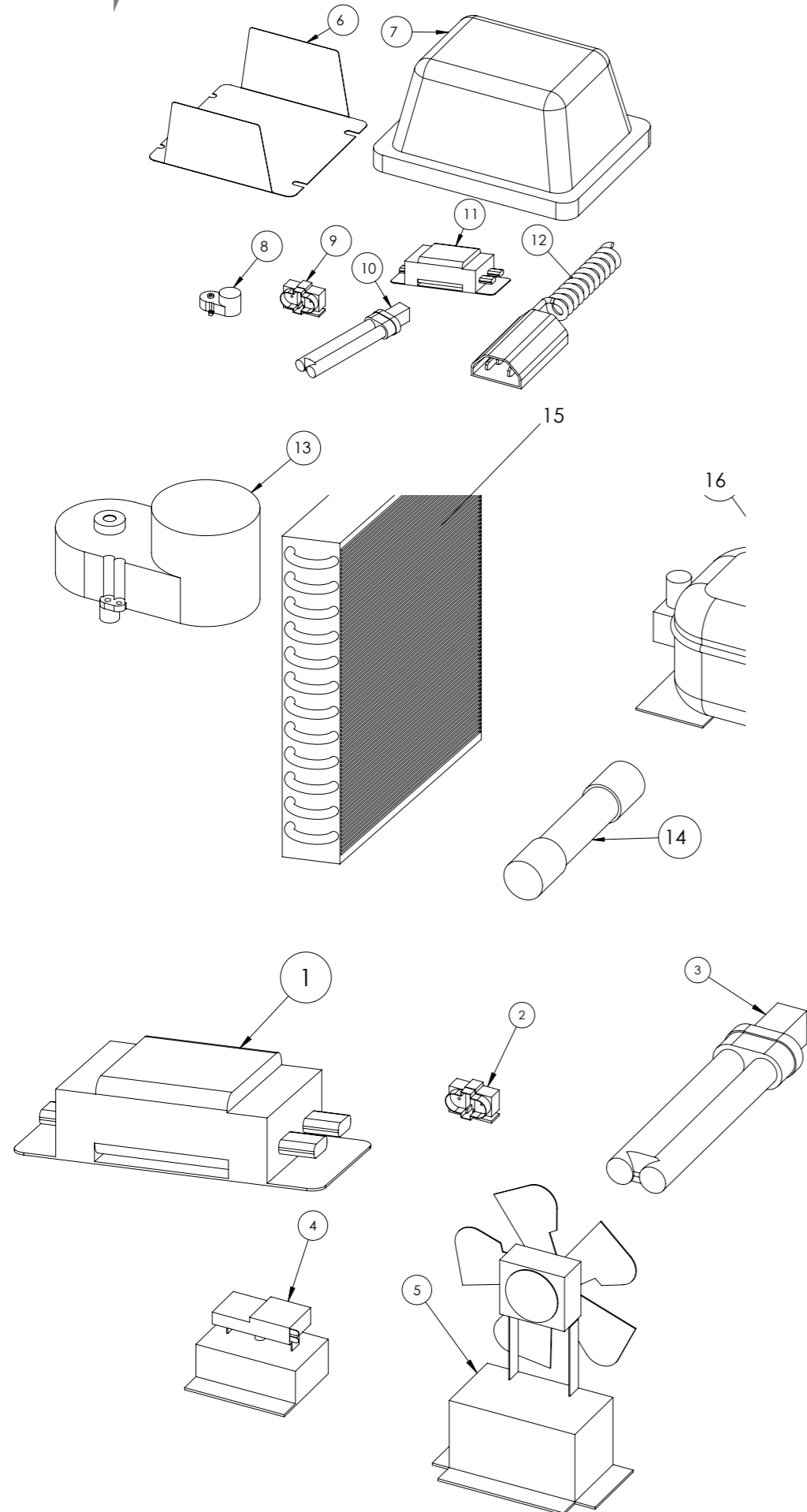
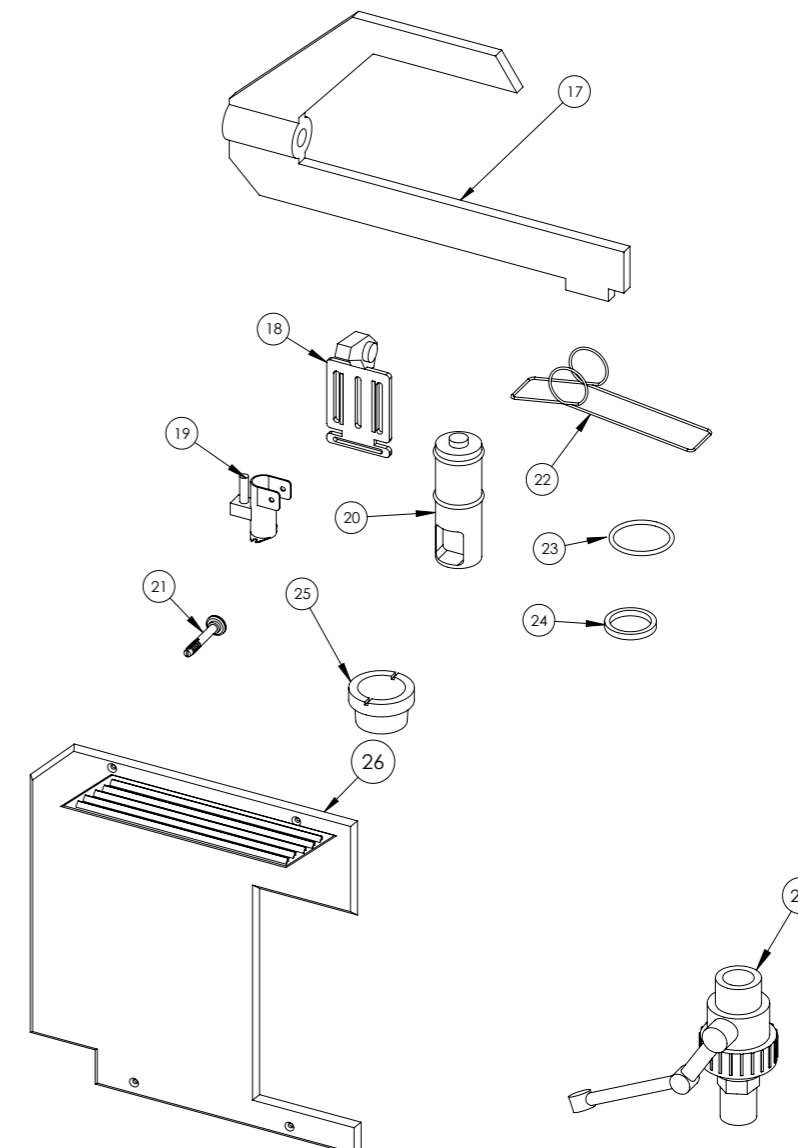


JDA2002 / JDA2003



JDA2002 / JDA2003



STOCK CODE	DESCRIPTION	MAN.PART NUMBER	DRAWING REF
XJDA0004	JUICE DISPENSER SUMMIT - 10W FAN MOTOR	58	5
XJDA0020	JUICE DISPENSER SUMMIT-CURLY CABLE	76	12
XJDA0038	JUICE DISPENSER SUMMIT - FILTER/DRIER	56	14
XJDA0003	JUICE DISPENSER SUMMIT - EVAPERATOR	072A	15
XJDA0001	JUICE DISPENSER SUMMIT - COMPRESSOR 1/4 HP	82	16
XJDA0034	JUICER DISPENSER SUMMIT - PLASTIC STIRRER (PADDLES)	74	17
XJDA1022	JUICE DISPENSER SUMMIT -COMP PUSH HANDLE TAP	096A	18
XJDA0028	JUICER DISPENSER SUMMIT - BUSH O RING RUBBER	616	23
XJDA0029	JUICER DISPENSER SUMMIT - SILICON O RING	92	24
XJDA0040	JUICE DISPENSER SUMMIT - LEFT SIDE COVER	60	26
XJDA0041	JUICE DISPENSER SUMMIT - RIGHT SIDE COVER	61	26
XJDA0022	JUICE DISPENSER SUMMIT - BALL TAP COMPLETE	101	27
XJDA0016	JUICE DISPENSER SUMMIT - NEON TUBE HOLDER	80	02/09
XJDA0019	JUICER DISPENSER SUMMIT - BALAST 7-11W	78	1 / 11
XJDA0015	JUICER DISPENSER SUMMIT- STIRRING MOTOR	63	13 / 8
XJDA0017	JUICE DISPENSER SUMMIT - NEONLAMP 7W	79	3 / 10