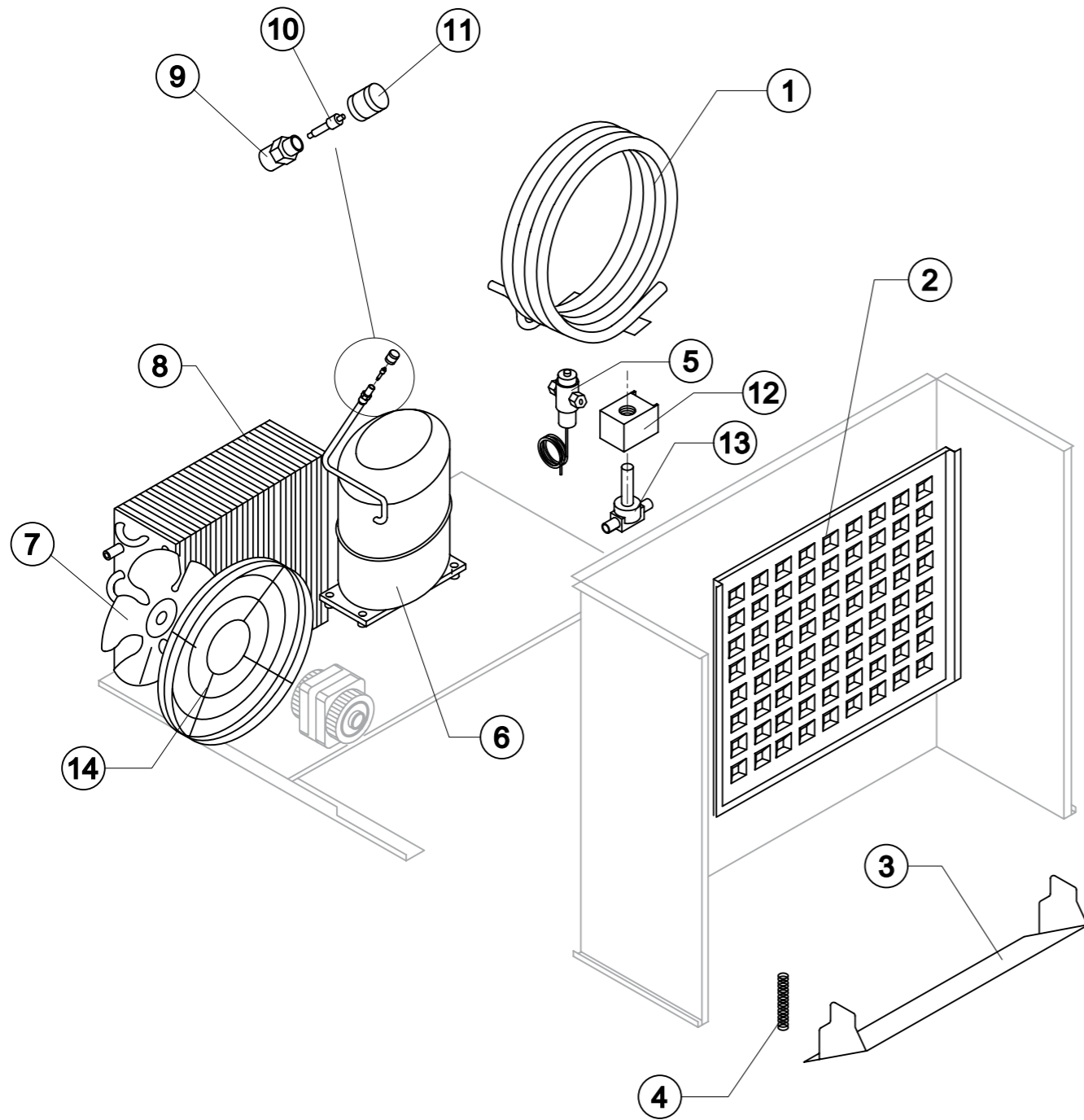


IMB0200

COOLING SYSTEM

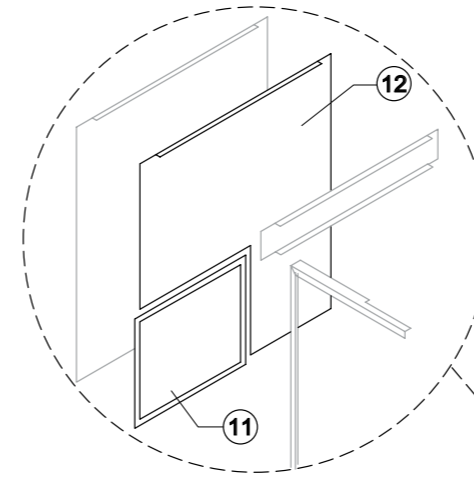


STOCK CODE	DESCRIPTION	MAN.PART NUMBER	DRAWING REF
XIMB3636	ICE MAKER BREMA-WATER CONDENSER(IMB1200)	14081	1
XIMB8167	REAR EVAPORATORS FOR MACHINE (IMB0200/0400)	D10227	2
XIMB8183	ICE MAKER BREMA VM900 - HORIZZONTALLY HINGED PANEL	22608	3
XIMB8184	ICE MAKER BREMA VM900 - SPRING	20464	4
XIMB3637	ICE MAKER BREMA - PRESSURE VALVE	20210	5
XIMB8181	ICE MAKER BREMA VM500 - SUCKING FAN	20407	7
XIMB3091	ICE MAKER BREMA - (VM ALL)HOT GAS COIL	23091	12

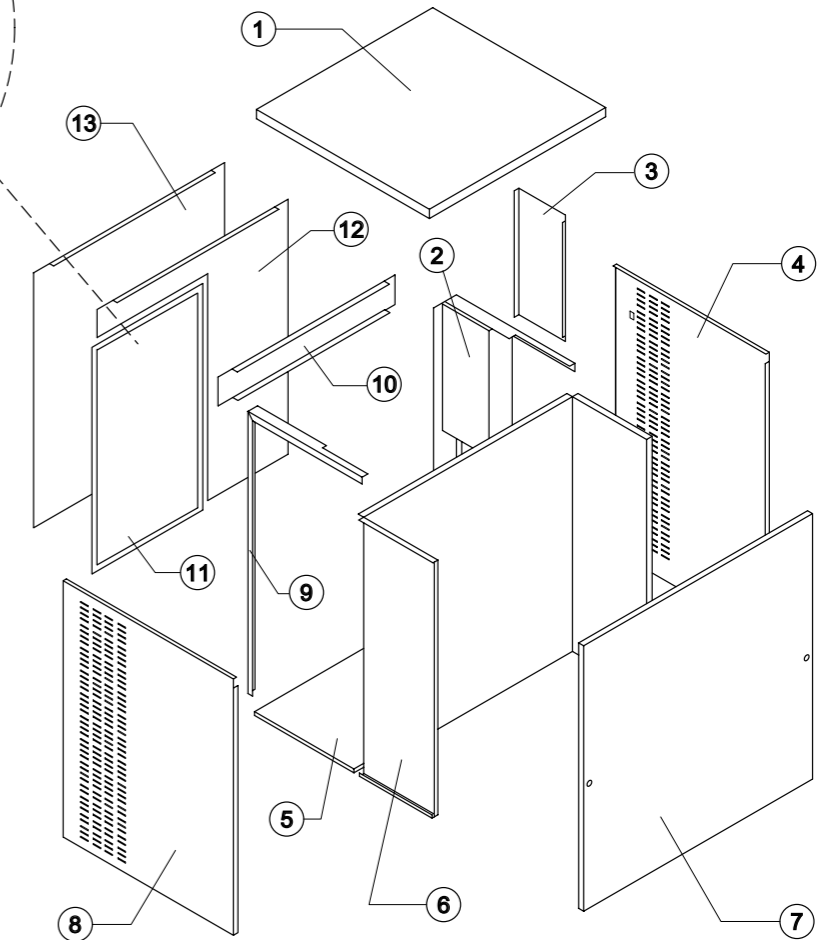
IMB0200

SHELL ASSEMBLY

OLD



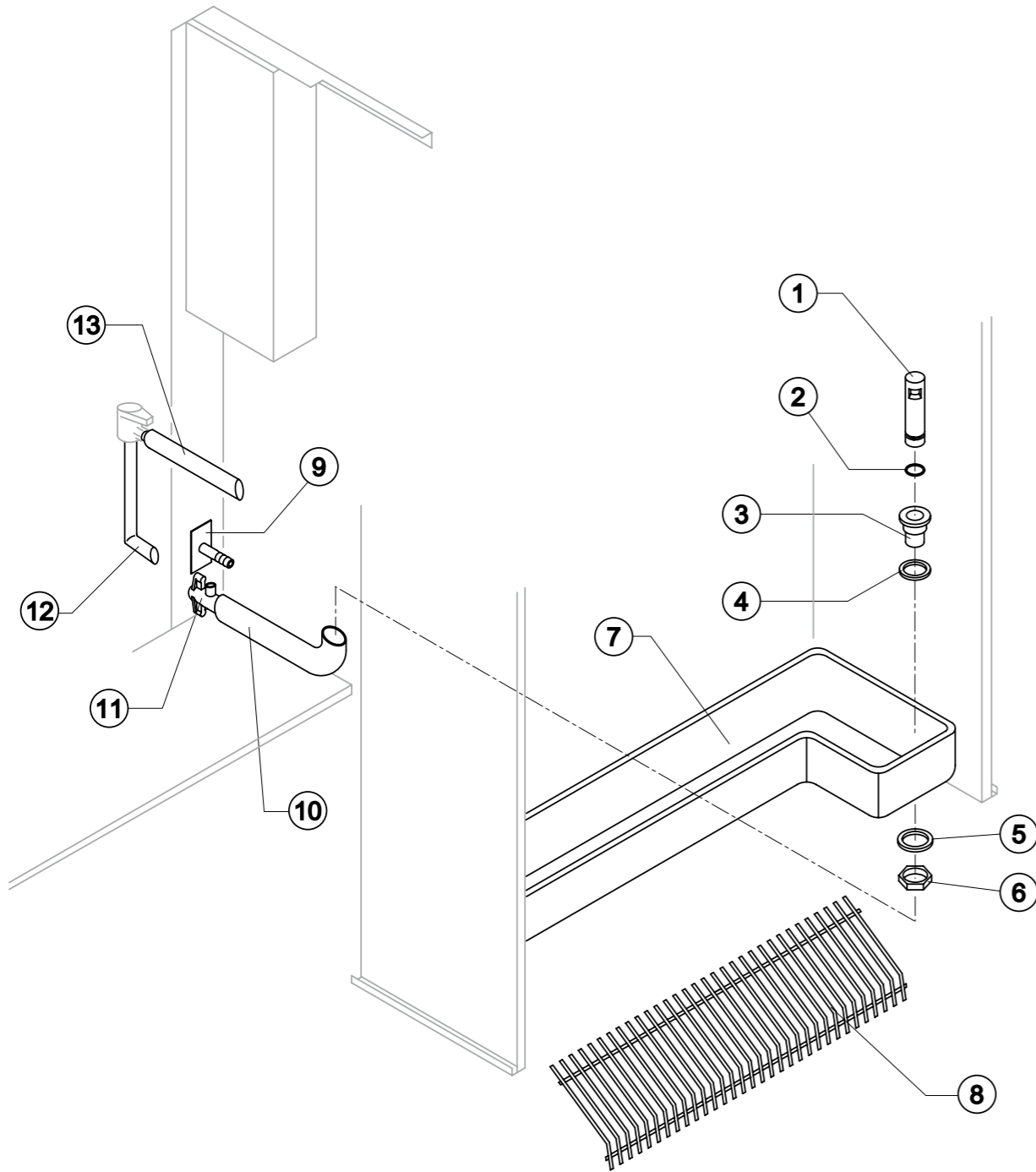
NEW



STOCK CODE	DESCRIPTION	MAN.PART NUMBER	DRAWING REF
XIMB8170	ICE MAKER BREMA - (VM500) - TOP PANEL	C22813	1
XIMB8171	ICE MAKER BREMA - (VM900W) - RIGHT SIDE PANEL	22408	4
XIMB8172	ICE MAKER BREMA - (VM500) - LEFT SIDE PANEL	22822	8
XIMB8163	ICE MAKER BREMA - (VM500) - FILTER	18163	11
XIMB8178	ICE MACHINE BREMA VM500 - REAR PANEL - NEW	21324	12
XIMB8179	ICE MAKER BREMA - VM500 - REAR PANEL - OLD	21286	12

IMB0200

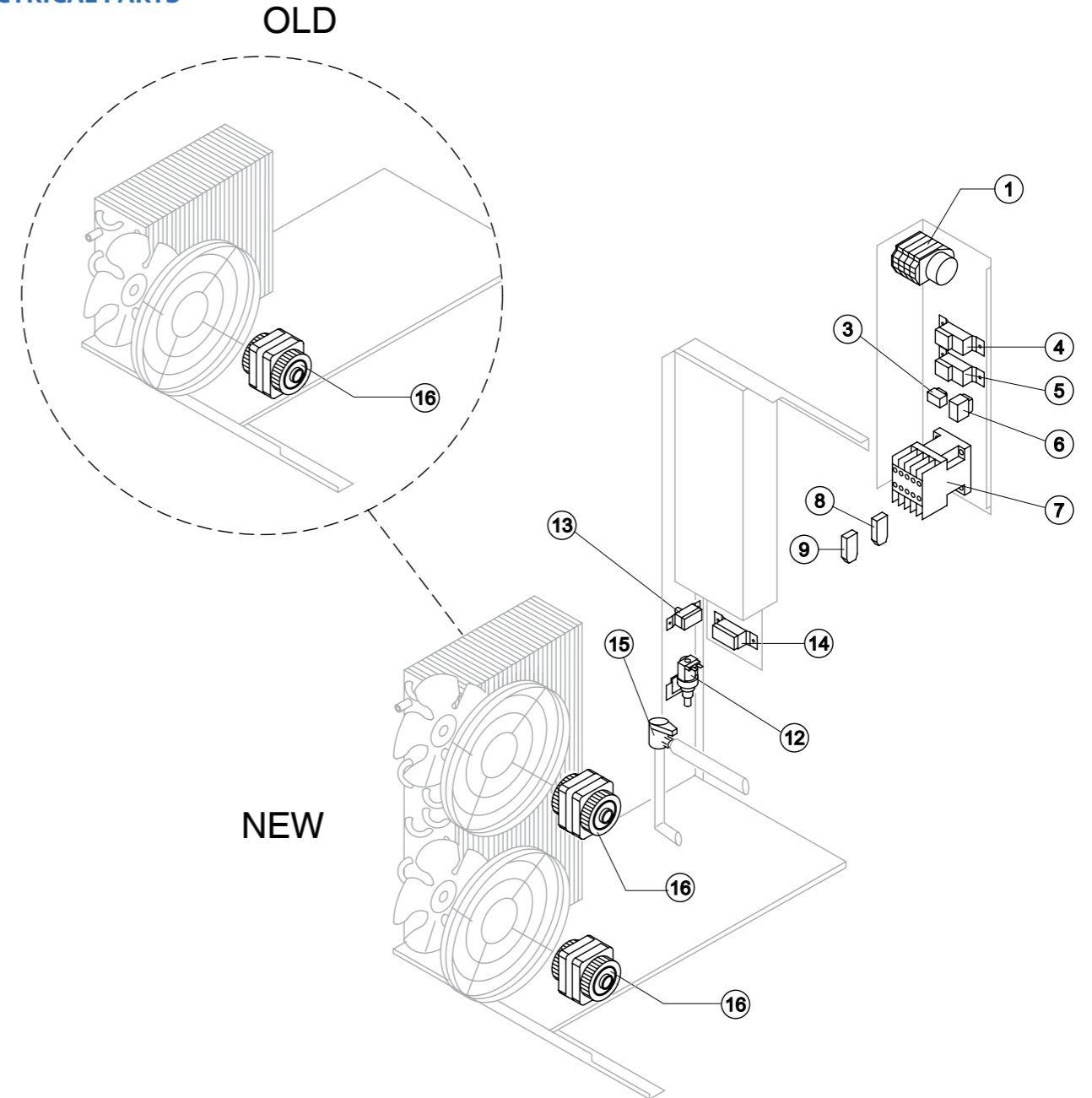
HYDRAULIC CIRCUIT



STOCK CODE	DESCRIPTION	MAN.PART NUMBER	DRAWING REF
XIMB0133	ICE MAKER BREMA -(CB)(ALL) OVERFLOW PIPE	10133	1
XIMB0233	ICE MAKER BREMA -(CB)(ALL) O' RING	20233	2
XIMB0471	ICE MAKER BREMA (CB)OVERFLOW PIPE NIPPLE	10471	3
XIMB3006	ICE MAKER BREMA (CB)(ALL)SILICONE GASKET	13006	4
XIMB0395	ICE MAKER BREMA-(VM500/900)WATER BASIN	10395	7
XIMB3638	ICE MAKER BREMA-ICE CUBE SLIDE(IMB0200)	D12057	8
XIMB0431	ICE MAKER BREMA - (VM350A)-DRAIN NIPPLE	10431	11

IMB0200

ELECTRICAL PARTS

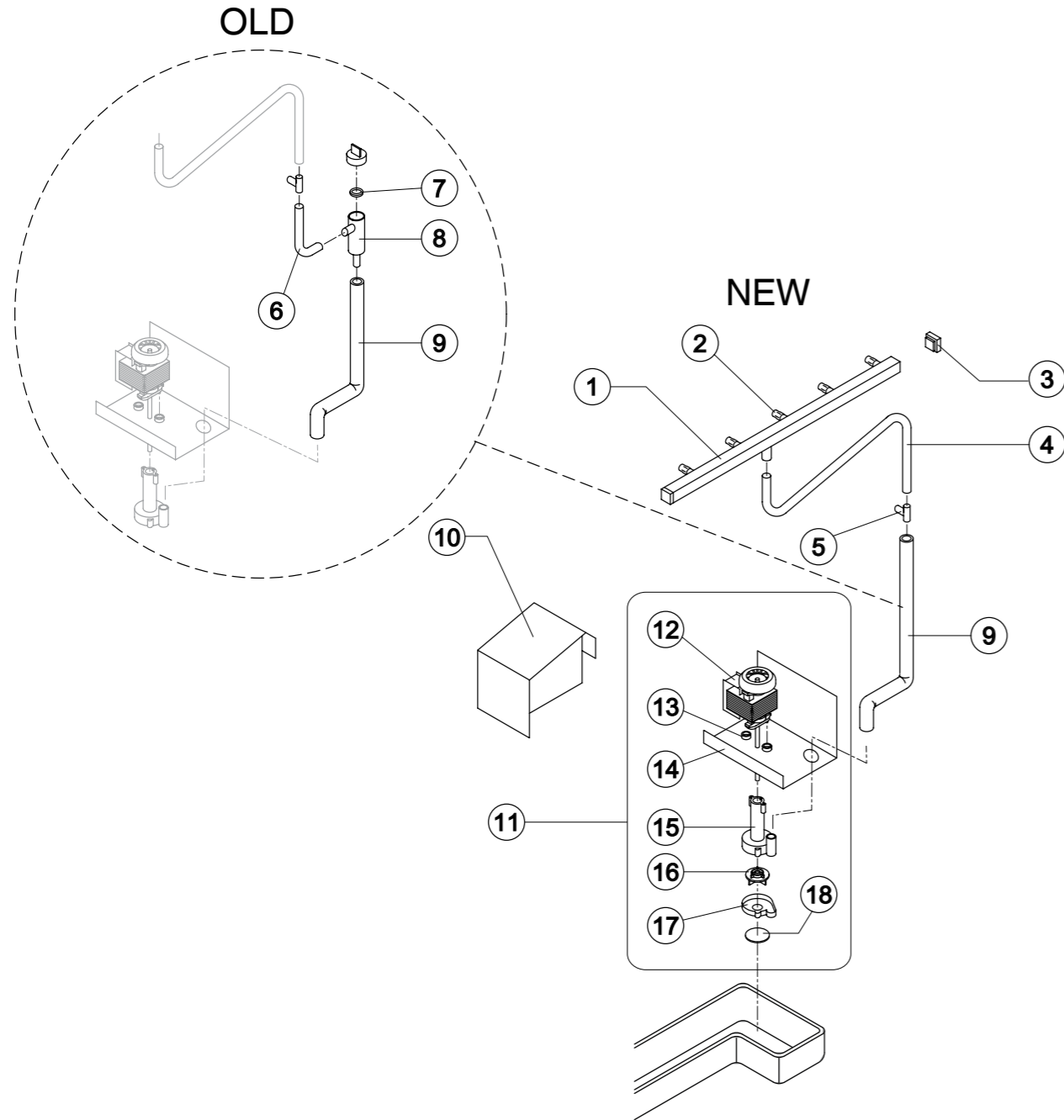


STOCK CODE	DESCRIPTION	MAN.PART NUMBER	DRAWING REF
XIMB3635	ICE MAKER BREMA - (VM)(ALL) TIMER 8 MIN	23635	1
XIMB3005	ICE MAKER BREMA-(CB)(VM350/900)BIN THERM	R23005	4
XIMB3597	ICE MAKER BREMA-(VM)(ALL)EVAP THERMOSTAT	R23597	5
XIMB3648	ICE MAKER BREMA-220V CONTACTOR (IMB0300)	23147	7
XIMB2364	ICE MAKER BREMA-(VM500)-INLET WATERVALVE 1 WAY	23787	12
XIMB8177	ICE MAKER BREMA - HIGH PRESSURE SAFETY SWITCH	23342	13
XIMB3647	ICE MAKER BREMA-PRESURE SWITCH (IMB0155)	23175	14
XIMB3537	ICE MAKER BREMA - (VM ALL)OUTLET VALVE	23537	15
XIMB3121	ICE MAKER BREMA - (VM ALL)FAN MOTOR	23121	16

05 refrigeration

IMB0200

SPRAYER PUMP



STOCK CODE	DESCRIPTION	MAN.PART NUMBER	DRAWING REF
XIMB0002	ICE MAKER BREMA -(CB)(VM350/500) SPRAYER NOZZLES	D20002	2
XIMB0139	ICE MAKER BREMA - (VM) (ALL) PUMP FILTER	10139	8
XIMB3073	ICE MAKER BREMA-(VM350-500) PUMP MOTOR	23073	12
XIMB8192	ICE MAKER BREMA [VM] - PUMP MOTOR SUPPORT	22799	14
XIMB8188	ICE MACHINE BREMA [VM] - PUMP BODY	10065	15
XIMB8189	ICE MAKER BREMA [VM] - PUMP IMPELLER	10138	16
XIMB8190	ICE MAKER BREMA [VM] - DIFFUSER	10067	17
XIMB8191	ICE MAKER BREMA [VM] - PUMP FILTER	20518	18