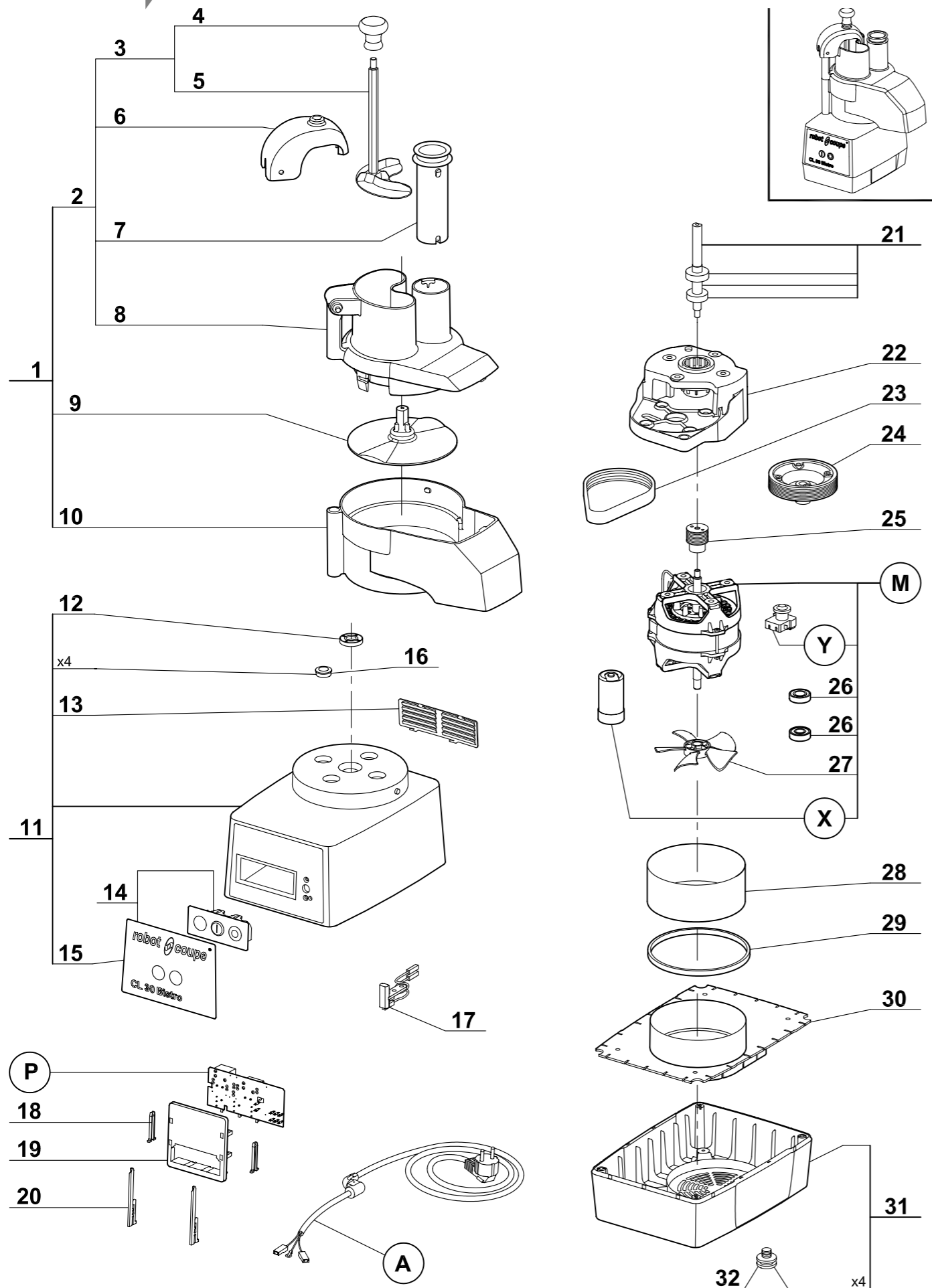


# 04 processing

VPR0030



VPR0030

STOCK CODE	DESCRIPTION	MAN.PART NUMBER	DRAWING REF
XFPR0067	ROBO COUPE-PUSHER ASSEMBLY R301C	29880	3
XFPR0006	FOOD PROCESSOR R301 ULTRA D - HANDLE KNOB	102021	4
XVPR0081	ROBO COUPE-CL30 FOOD PUSHER (ROUND)	118324	7
XVPR0082	ROBO COUPE-CL30 SLING PLATE	104921	9
XVPR0083	ROBO COUPE-CL30 SHAFT SEAL	501010	12
XVPR0040	VEG PREP CL20 D - VENT COVER	104122	13
XBCR0073	BOWL CUTTER (R 4 V.V.)BOLT COVER MIDDLE GREY	104070	16
XVPR0084	ROBO COUPE- CL30 VEGETABLE REED SWITCH	29356	17
XBCR0075	BOWL CUTTER (R 4 V.V.)PANEL KEY	102913	18
XBCR0076	BOWL CUTTER (R 4 V.V.)PCB SUPPORT	102911	19
XBCR0077	BOWL CUTTER(R 4 V.V.) PCB LOCKING KEY	117703	20
XBCR0083	BOWL CUTTER (R 4 V.V.)DRIVING SHAFT ASSY	29604	21
XVPR0085	ROBO COUPE- CL30 BELT	503940	23
XBCR0086	BOWL CUTTER (R 4 V.V.)DRIVEN PULLEY	102923	24
XBCR0080	BOWL CUTTER (R 4 V.V.)SMALL PULLEY	102924	25
XVPR0044	VEG PREP CL20 D - LOWER BALL BEARING 6201 2RS	600457	26
XVPR0086	ROBO COUPE- CL30 MOTOR FAN	117610	27
XVPR0045	VEG PREP CL20 D - FOOT	101082	32
XVPR0047	VEG PREP CL20 D - CONTROL BOARD	103691	P
XVPR0048	VEG PREP CL20 D - STARTING CAPACITOR	600018	X
XVPR0049	VEG PREP CL20 D - MOTOR STARTING RELAY	500289	Y