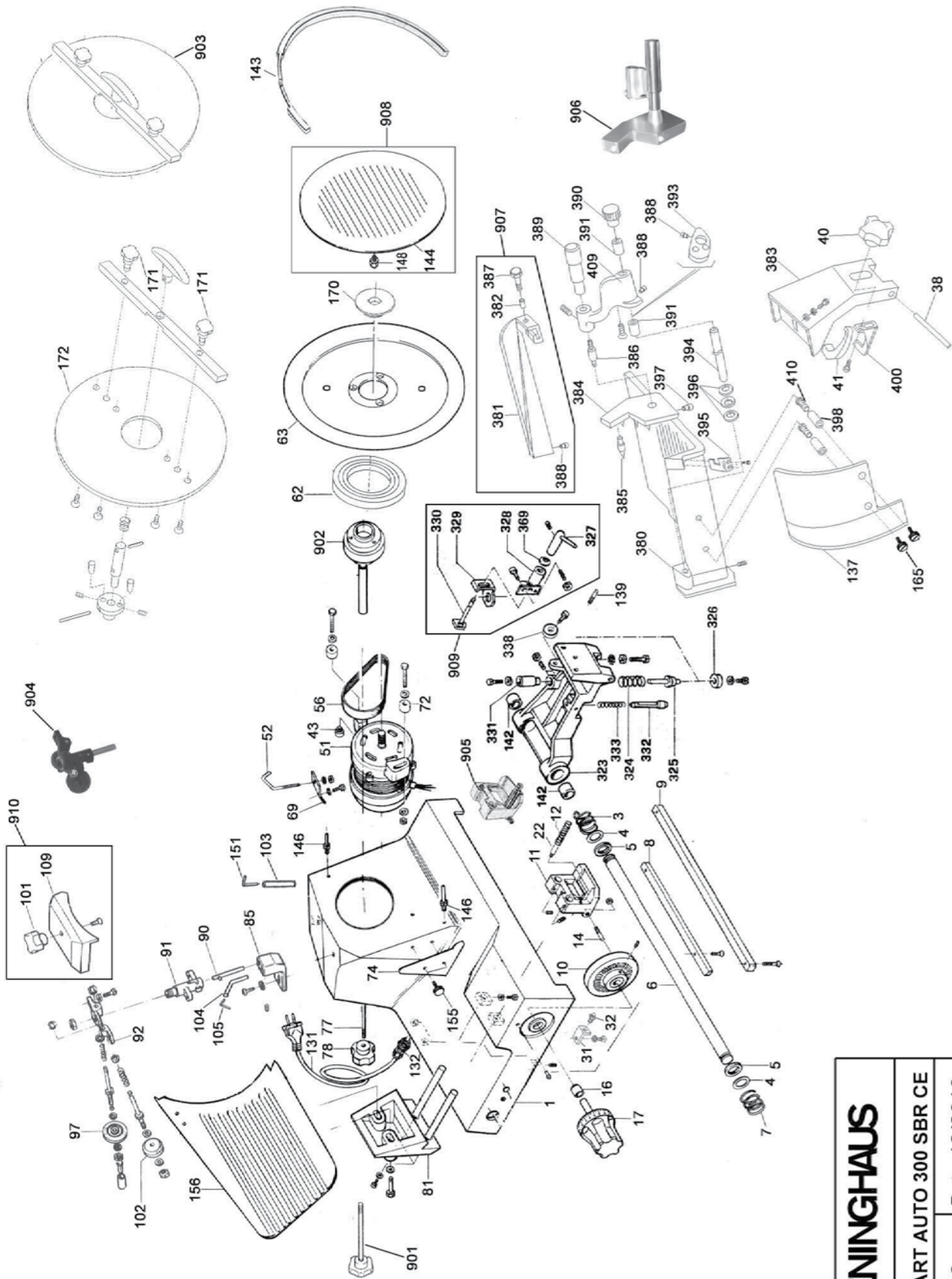


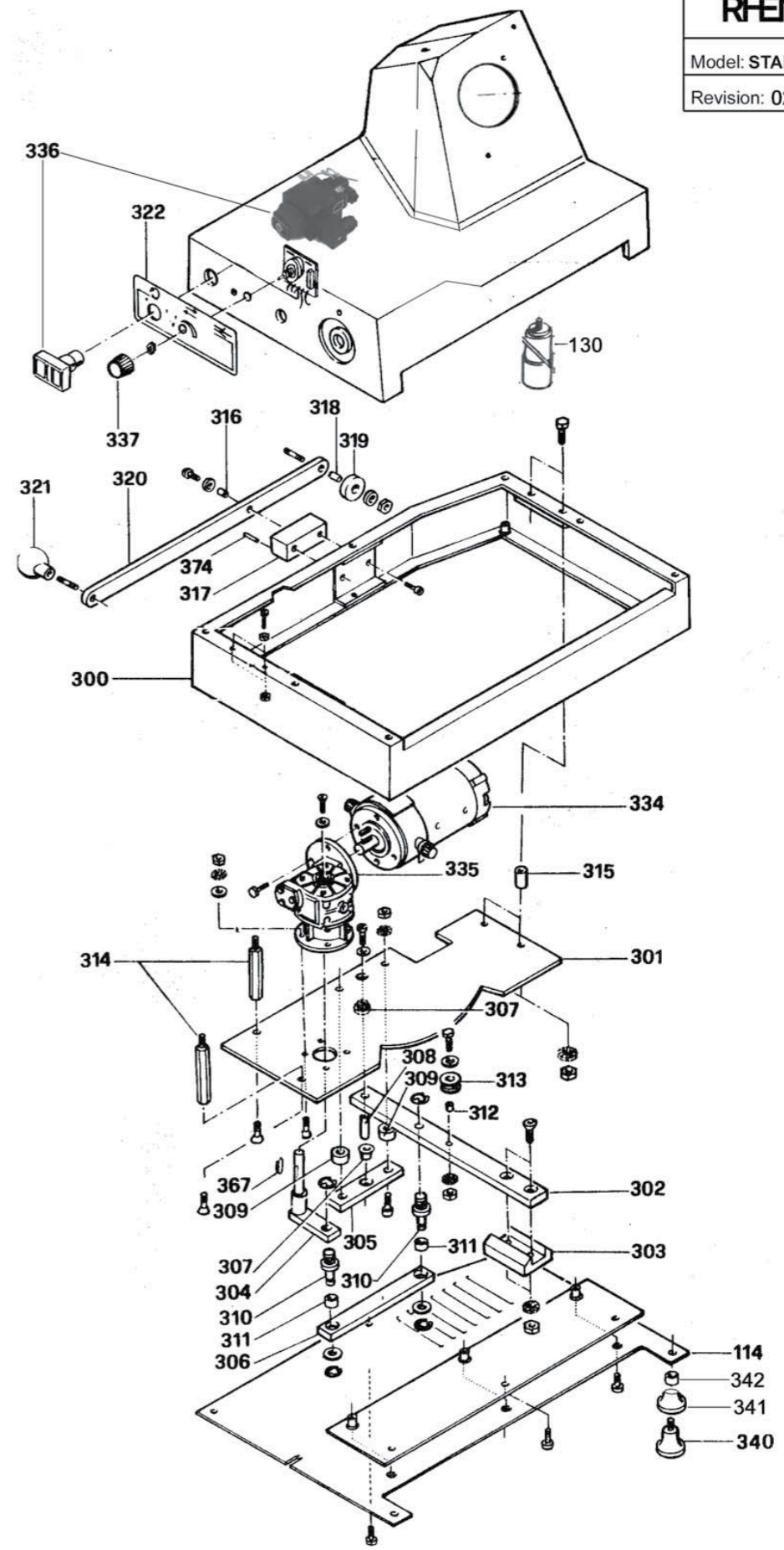
SLS4300



| |
|---------------------------------|
| RHENINGHAUS |
| Model: START AUTO 300 SBR CE |
| Revision: 02 Date: 12/2010 |

SLS4300

| |
|---------------------------------|
| RHENINGHAUS |
| Model: START AUTO 300 SBR CE |
| Revision: 02 Date: 12/2010 |



| STOCK CODE | DESCRIPTION | MAN.PART NUMBER | DRAWING REF |
|------------|--|-------------------|-------------|
| XSLS2001 | SLICER START [AUTO] - FLAT BELT | CM34516 | 056 |
| XSLS2319 | SLICER START [AUTO] - SIDE LEVER ROLLER | 09364 | 319 |
| XSLS2321 | SLICER START [AUTO] - SIDE LEVER KNOB | 06015 | 321 |
| XSLS2326 | SLICER START [AUTO]-WHITE PLASTIC ROLLER | 10211 | 326 |
| XSLS2334 | SLICER START [AUTO] - MOTOR FOR GEARBOX MEAT TRAY | 10237 | 334 |
| XSLS2335 | SLICER START [AUTO] - GEARBOX | 10236 | 335 |
| XSLS2337 | SLICER START [AUTO] - STROKE ADJUST KNOB | 09032 | 337 |
| XSLS2387 | SLICER START[AUTO]-MEAT TRAY SLIDE SCREW | 09323 | 387 |
| XSLS2403 | SLICER START[AUTO]-PLASTIC THUMB GUARD | 06105 | 137 |
| XSLS2908 | SLICER START [AUTO] - SPRING PIN | 10205 | 308 |
| XSLS4061 | SLICER START (DELUX) - PULLEY ASSEMBLY | 0093 | 902 |
| XSLS4062 | SLICER START (DELUX) - MOTOR | 10114 | 51 |
| XSLS4063 | SLICER START (DELUX) - BLADE 300mm | 08024 | 63 |
| XSLS4065 | SLICER START(DELUX)-SHARP ASSEMBLY COVER | 0199 | 910 |
| XSLS9021 | SLICER START (AUTO) - MAIN LEVER | 10202 | 302 |
| XSLS9022 | SLICER START (AUTO) - SLIDER START AUTO CE | 10220 | 303 |
| XSLS1003 | SLICER START [300]-CARRIAGE ASSY SPRING | 08713 | 3 |
| XSLM0059 | SLICER MOND[ALL]-CARRIAGE ASSY WASHER | 06307 | 5 |
| XSLS2003 | SLICER START [AUTO] - SPACING CAM | 06009 | 10 |
| XSLS1017 | SLICER START [300]-ADJUSTING KNOB | 06135 | 17 |
| XSLS1040 | SLICER START[300]-MEAT TRAY BRACKET KNOB | 06004 | 40 |
| XSLS1041 | SLICER START [300]-MEAT REST HANDLE | IMPU440 | 41 |
| XSLS9052 | SLICER START - MOTOR RETAINING STUD | 09552 | 43 |
| XSLS4517 | SLICER START (DELUX) - PULLEY SEAL | 10505 | 62 |
| XSLS1077 | SLICER START [300]-BLADE ROD | TIRPAR378 | 77 |
| XSLS1078 | SLICER START [300]-BLADE ROD KNOB | 06005 | 78 |
| XSLS1085 | SLICER START [300]-SHARP ASSY BRACKET | SCAF410 | 85 |
| XSLM0007 | SLICER MOND[ALL]-SHARP ASSY MOUNT SHAFT | 09083 | 90 |
| XSLM0010 | SLICER MOND[ALL] - SHARP ASSY BRACKET & GUIDE TUBE | 0216 | 91 |
| XSLS0015 | SLICER STEL-SET SHARPENING STONES | MOLAF41/MOLSB41 | 97/102 |
| XSLM0075 | SLICER MOND[ALL]-SHARPENER HOUSING KNOB | 06014 | 101 |
| XSLB0009 | SLICER MONDIAL/BETA SHARP ASSEMBLY COVER | 00970F | 109 |
| XSLB0302 | SLICER BETA - CAPACITOR | 07403 | 130 |
| XSLM0051 | SLICER MOND[ALL]-MEAT TRAY BRACKET SCREW | 09056 | 139 |
| XSLS9053 | SLICER STEL - BUSH FOR PLATFORM CARRIAGE | 06143 | 142 |
| XSLS2313 | SLICER START [AUTO] - ROLLER BUSH | 10213 | 313 |
| XSLL0396 | SLICER LUXOR-NYLON WHEELS | 09364 | 319 |
| XSLS2408 | SLICER START [AUTO] - CIRCUIT BOARD COMP SWITCH | 0048 | 336 |
| XSLM0080 | SLICER MOND[ALL]-MEAT TRAY ROLLER | 06515 | 338 |
| XSLS2340 | SLICER START [AUTO] - RUBBER FOOT | 10642 10525 10625 | 340 342 341 |
| XSLS2383 | SLICER START [AUTO] - NYLON SLIDING BLOCK | 09104 | 388 |
| XSLB0296 | SLICER BETA - STUD BOLT | 09035 | 410 |
| XSLS4064 | SLICER START (DELUX)-SHARPENING ASSEMBLY | 0104 | 904 |