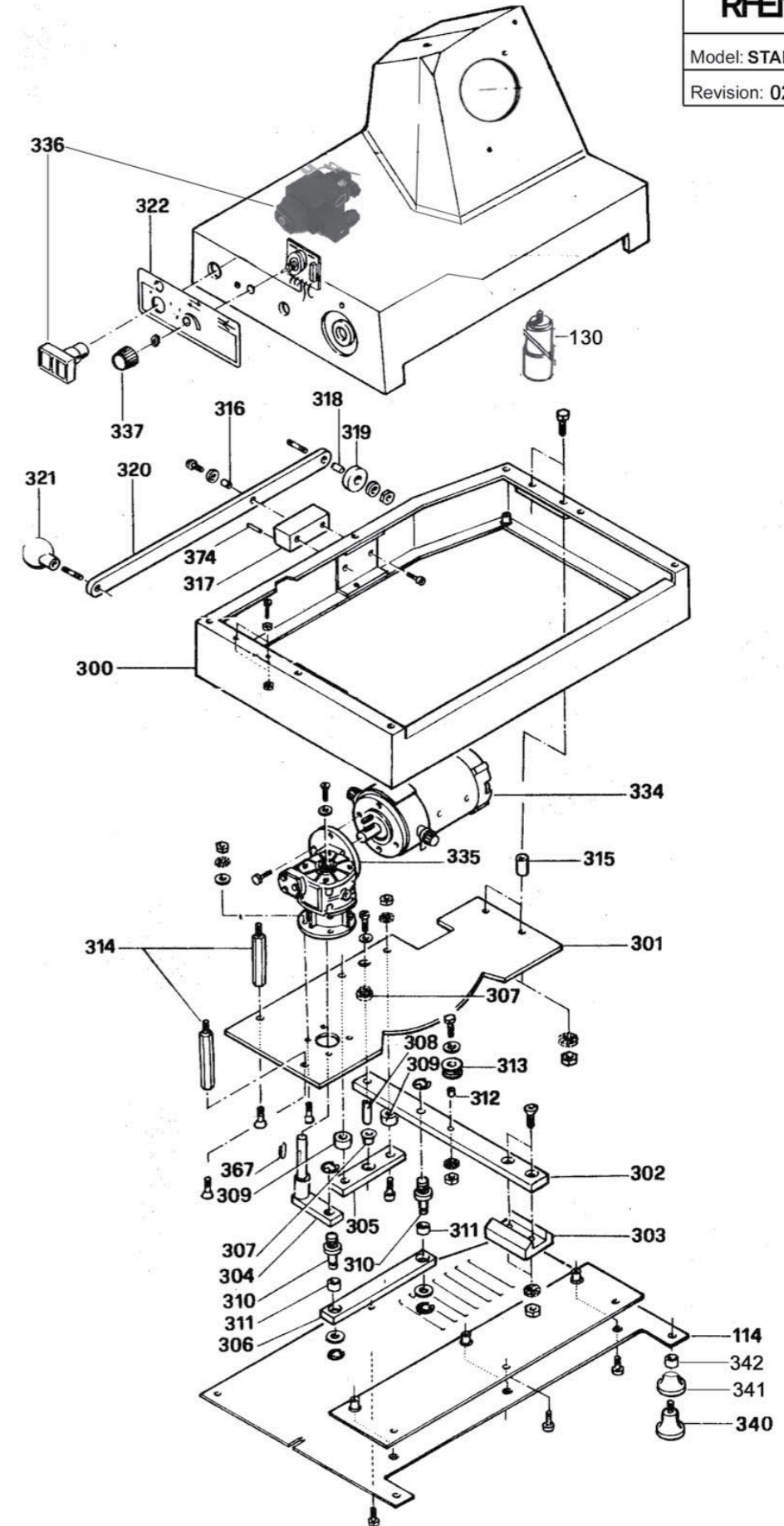


<b>RHENINGHAUS</b>
Model: START AUTO 300 SBR CE
Revision: 02      Date: 12/2010

<b>RHENINGHAUS</b>
Model: START AUTO 300 SBR CE
Revision: 02      Date: 12/2010



STOCK CODE	DESCRIPTION	MAN.PART NUMBER	DRAWING REF
XSLM0075	SLICER MOND[ALL]-SHARPENER HOUSING KNOB	06014	101
XSLB0009	SLICER MONDIAL/BETA SHARP ASSEMBLY COVER	00970F	109
XSLB0302	SLICER BETA - CAPACITOR	07403	130
XSLM0051	SLICER MOND[ALL]-MEAT TRAY BRACKET SCREW	09056	139
XSLS9053	SLICER STEL - BUSH FOR PLATFORM CARRIAGE	06143	142
XSLB0296	SLICER BETA - STUD BOLT	09035	410
XSLS4061	SLICER START (DELUX) - PULLEY ASSEMBLY	0093	902
XSLS4064	SLICER START (DELUX)-SHARPENING ASSEMBLY	0104	904
XSLS4065	SLICER START(DELUX)-SHARP ASSEMBLY COVER	0199	910
XSLM0058	SLICER MOND[ALL]-CARRIAGE SHAFT SPRING	08713	3
XSLM0059	SLICER MOND[ALL]-CARRIAGE ASSY WASHER	06307	5
XSLS2003	SLICER START [AUTO] - SPACING CAM	06009	10
XSLB0240	SLICER BETA - REGULATOR KNOB	06135	17
XSLM0080	SLICER MOND[ALL]-MEAT TRAY ROLLER	06515	338
XSLM0074	SLICER MOND[ALL]-MEAT TRAY BRACKET KNOB	06004	40
XSLS1041	SLICER START [300]-MEAT REST HANDLE	IMPU440	41
XSLS9052	SLICER START - MOTOR RETAINING STUD	09552	43
XSLS4062	SLICER START (DELUX) - MOTOR	10114	51
XSLS2001	SLICER START [AUTO] - FLAT BELT	CM34516	56
XSLS0505	SLICER STEL - RETAINING RING	10505	62
XSLS4063	SLICER START (DELUX) - BLADE 300mm	08024	63
XSLS1077	SLICER START [300]-BLADE ROD	TIRPAR378	77
XSLM0008	SLICER MOND[ALL]-BLADE MOUNTING KNOB	06005	78
XSLS1085	SLICER START [300]-SHARP ASSY BRACKET	SCAF410	85
XSLM0007	SLICER MOND[ALL]-SHARP ASSY MOUNT SHAFT	09083	90
XSLM0010	SLICER MOND[ALL] - SHARP ASSY BRACKET & GUIDE TUBE	0216	91