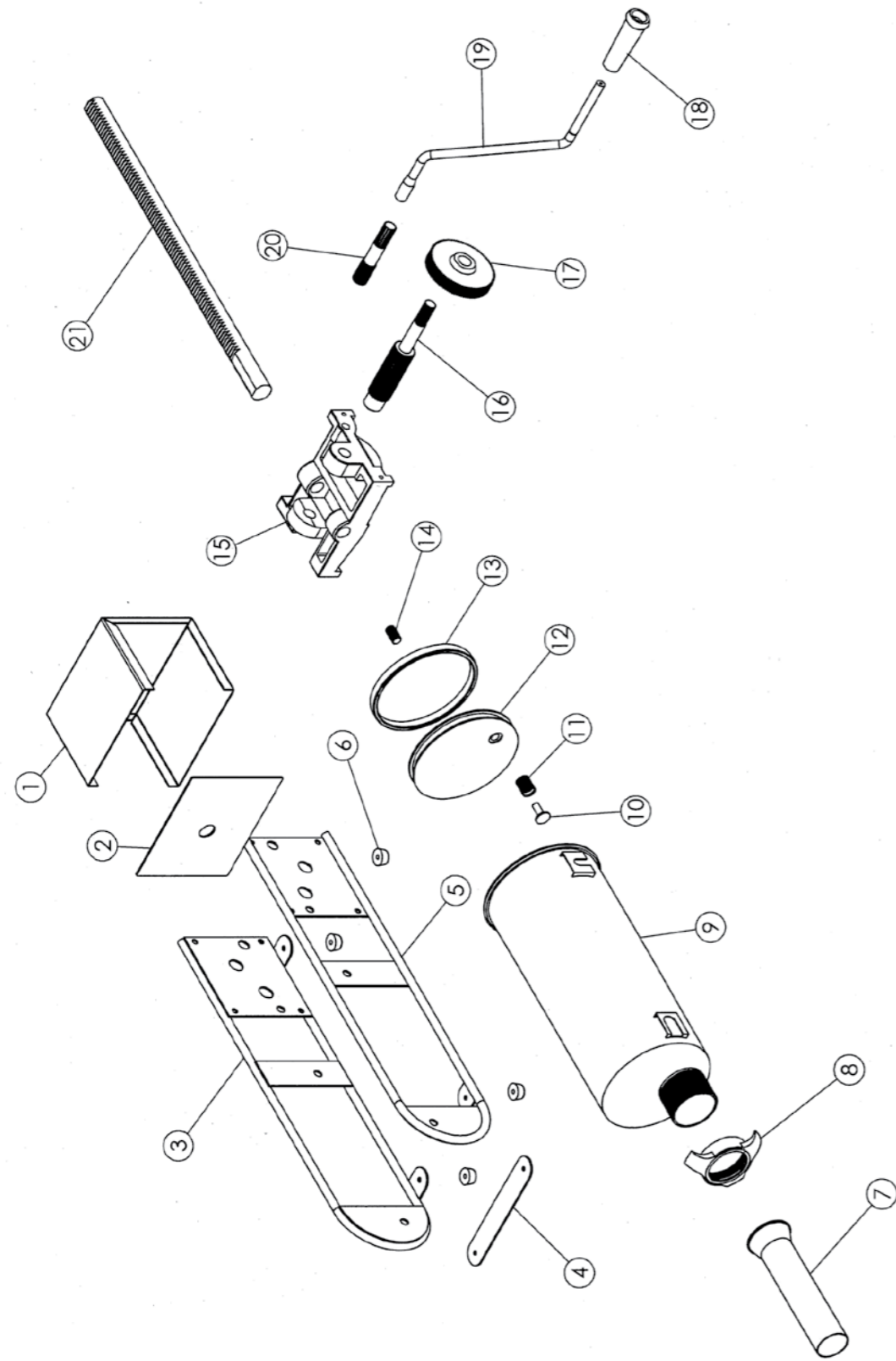


SFB0005



SFB0005

STOCK CODE	DESCRIPTION	MAN.PART NUMBER	DRAWING REF
XSFB0001	SAUSAGE FILLER [BQ] - RUBBER FOOT	3-RF-SFB0003	6
XSFB0006	SAUSAGE FILLER [BQ] - LOCK NUT	7-LN-SFB0003	8
XSFB0008	SAUSAGE FILLER [BQ] - BARREL (5 LTR)	3-FB-SFB0005	9
XSFB0010	SAUSAGE FILLER [BQ] - VENT PIN	6-VP-SFB0003	10
XSFB0011	SAUSAGE FILLER [BQ] - VENT SPRING	7-VS-SFB0003	11
XSFB0012	SAUSAGE FILLER [BQ] - PISTON	7-BP-SFB0003	12
XSFB0013	SAUSAGE FILLER [BQ] - PISTON RUBBER BAND	3-SG-SFB0003	13
XSFB0014	SAUSAGE FILLER [BQ] - GEAR BASE	7-GH-SFB0003	15
XSFB0015	SAUSAGE FILLER [BQ] - HIGH SPEED GEAR	7-HSG-SFB0003	16
XSFB0016	SAUSAGE FILLER [BQ] - GEAR SPROCKET	7-GS-SFB0003	17
XSFB0017	SAUSAGE FILLER [BQ] - PLASTIC HANDLE	3-HAN-SFB0003	18
XSFB0018	SAUSAGE FILLER [BQ] - CRANK HANDLE	7-CH-SFB0003	19
XSFB0019	SAUSAGE FILLER [BQ] - SMALL GEAR	7-LSG-SFB0003	20
XSFB0021	SAUSAGE FILLER [BQ] - RACK (5 LTR)	7-FR-SFB0005	21