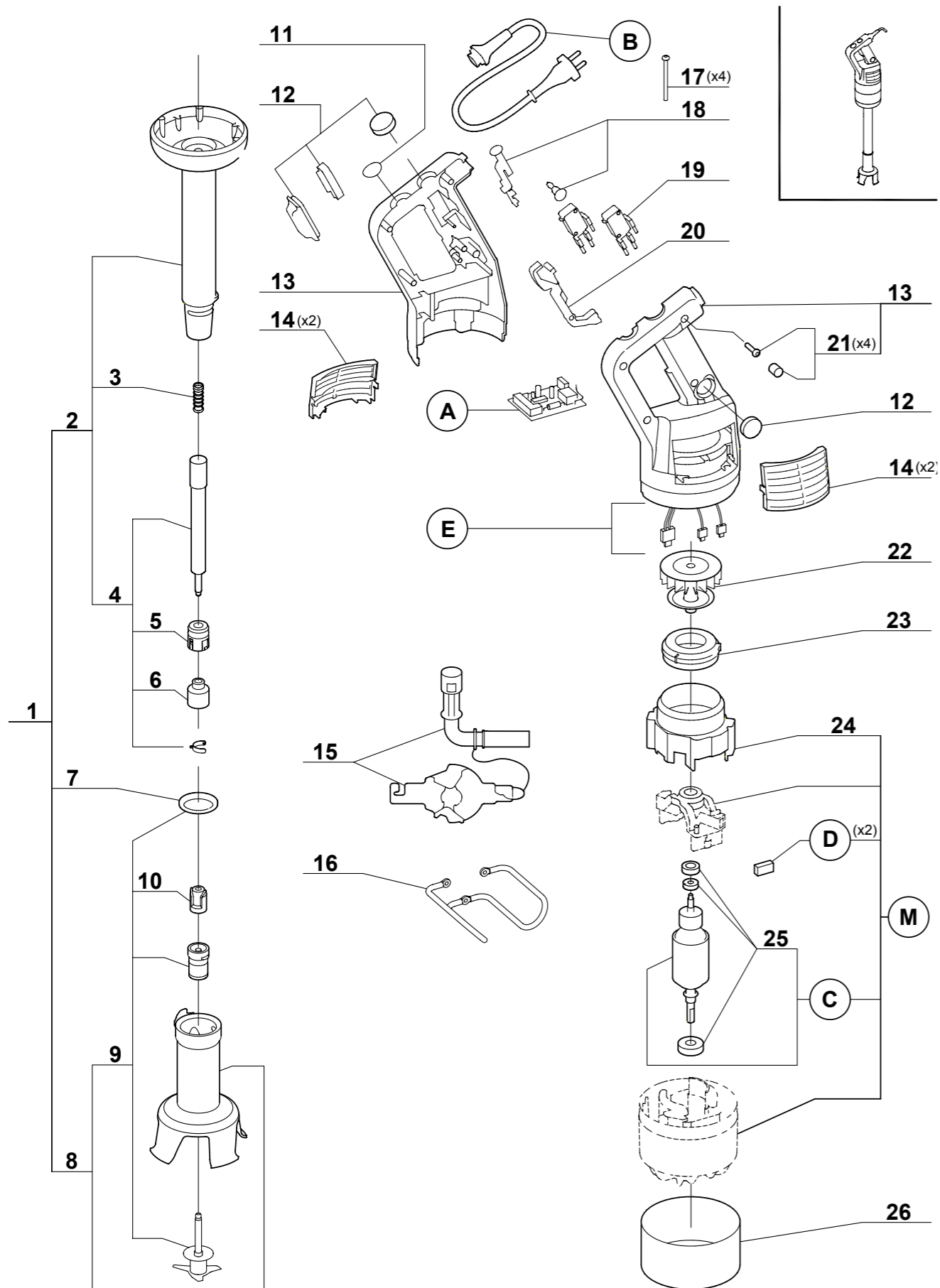


PML0450

PML0450



| STOCK CODE | DESCRIPTION | MAN.PART NUMBER | DRAWING REF |
|------------|---|-----------------|-------------|
| XPML0001 | POWER MIXER LARGE - MP450 A FOOT | 39 339 | 2 |
| XPML0002 | POWER MIXER LARGE - MP FOOT SPRING | 89 619 | 3 |
| XPML0003 | POWER MIXER LARGE - MP450 A DRIVING SHAFT | 39 340 | 4 |
| XPML0004 | POWER MIXER LARGE - MPA FOOT BEARING RACE | 39 334 | 5 |
| XPML0005 | POWER MIXER LARGE - S/S DRIVING FRAME | 89 624 | 6 |
| XPML0006 | POWER MIXER LARGE - MP/CMP FOOT SEAL | 89 628 | 7 |
| XPMC0047 | ROBO COUPE-MP450A BELL COVER | 39335 | 8 |
| XPML0008 | POWER MIXER LARGE - MP450 A BLADE | 39 337 | 9 |
| XPML0009 | POWER MIXER LARGE - MP A DRIVING HUB | 89 625 | 10 |
| XPML0010 | POWER MIXER LARGE - MP CMP WATERPROOFNESS KIT | 89 533 | 12 |
| BO0030 | R/COUPE DISMOUNT TOOL [MP/CMP] | 89662 | 15 |
| XPMC0011 | POWER MIXER CMP 300 - KNOBS KIT | 89530 | 18 |
| XPMC0017 | POWER MIXER LARGE - MICROSWITCH | 89365 | 19 |
| XPMC0012 | POWER MIXER CMP 300 - HANDLE SCREW | 89532 | 21 |
| XPML0011 | POWER MIXER LARGE - MP MOTOR BEARING | 89 507 | 25 |
| XPML0012 | POWER MIXER LARGE - CIRCUIT BOARD | 89 392 | A |
| XPML0013 | POWER MIXER LARGE - BRUSHES (X2) | 89 535 | D |
| XPML0014 | POWER MIXER LARGE - MOTOR | 89 041 | M |