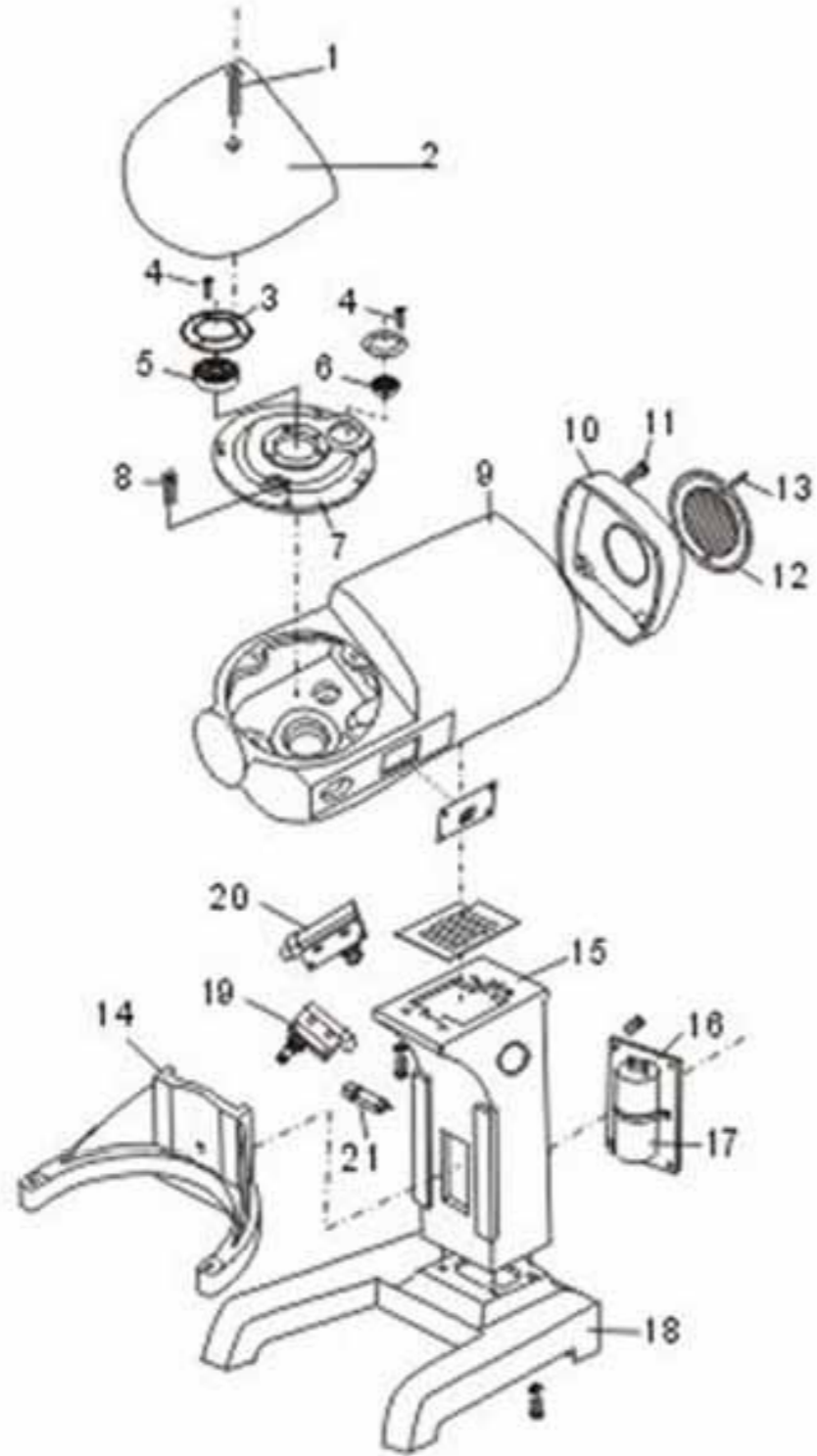
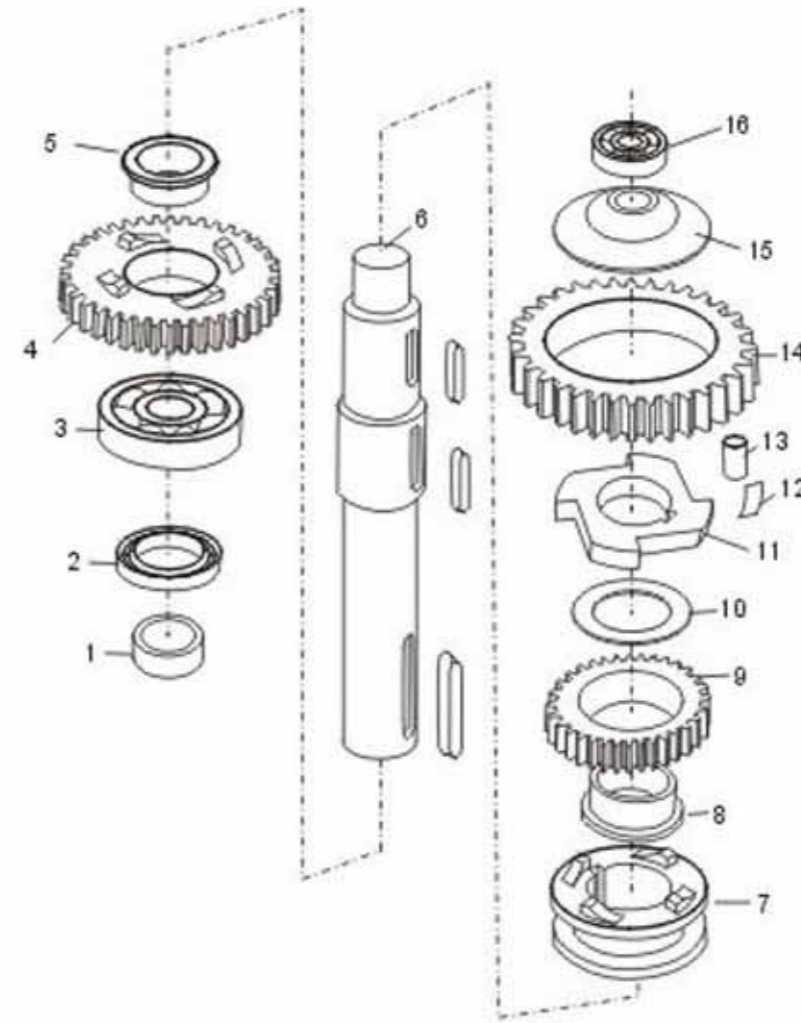


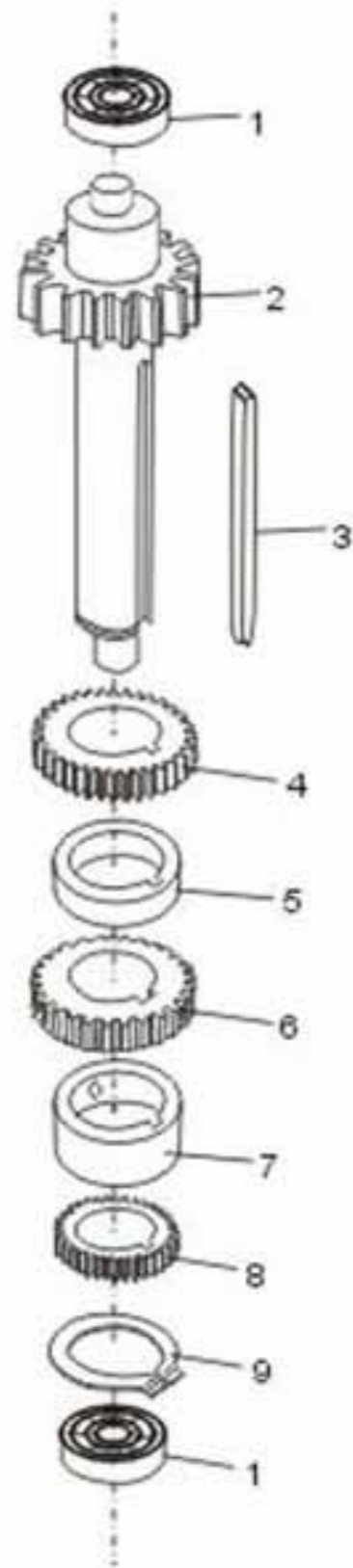
TRANSMISSION CASE, ARM & STAND - FIG 1



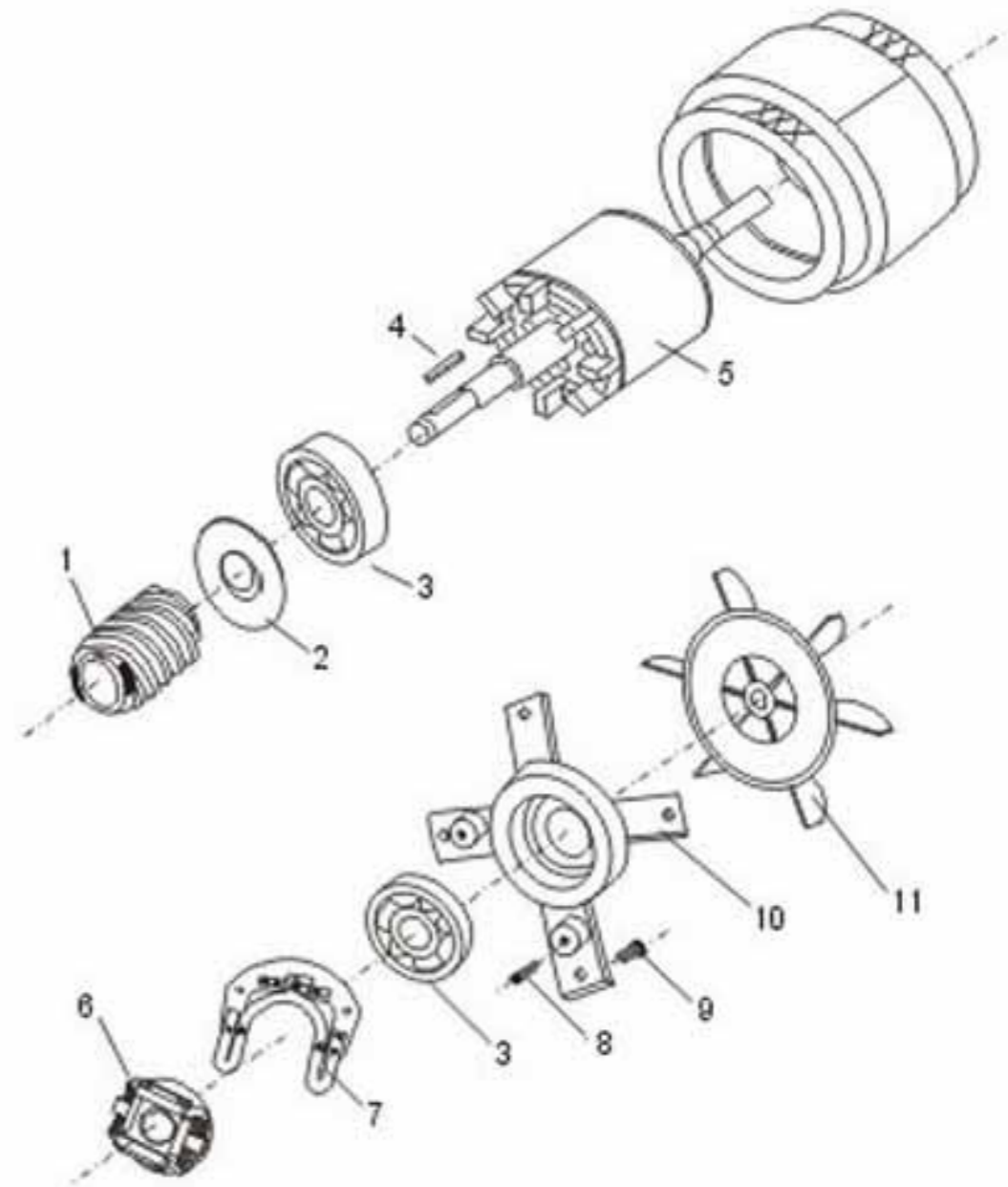
AXLE - FIG 2



GEAR AXLE - FIG 3

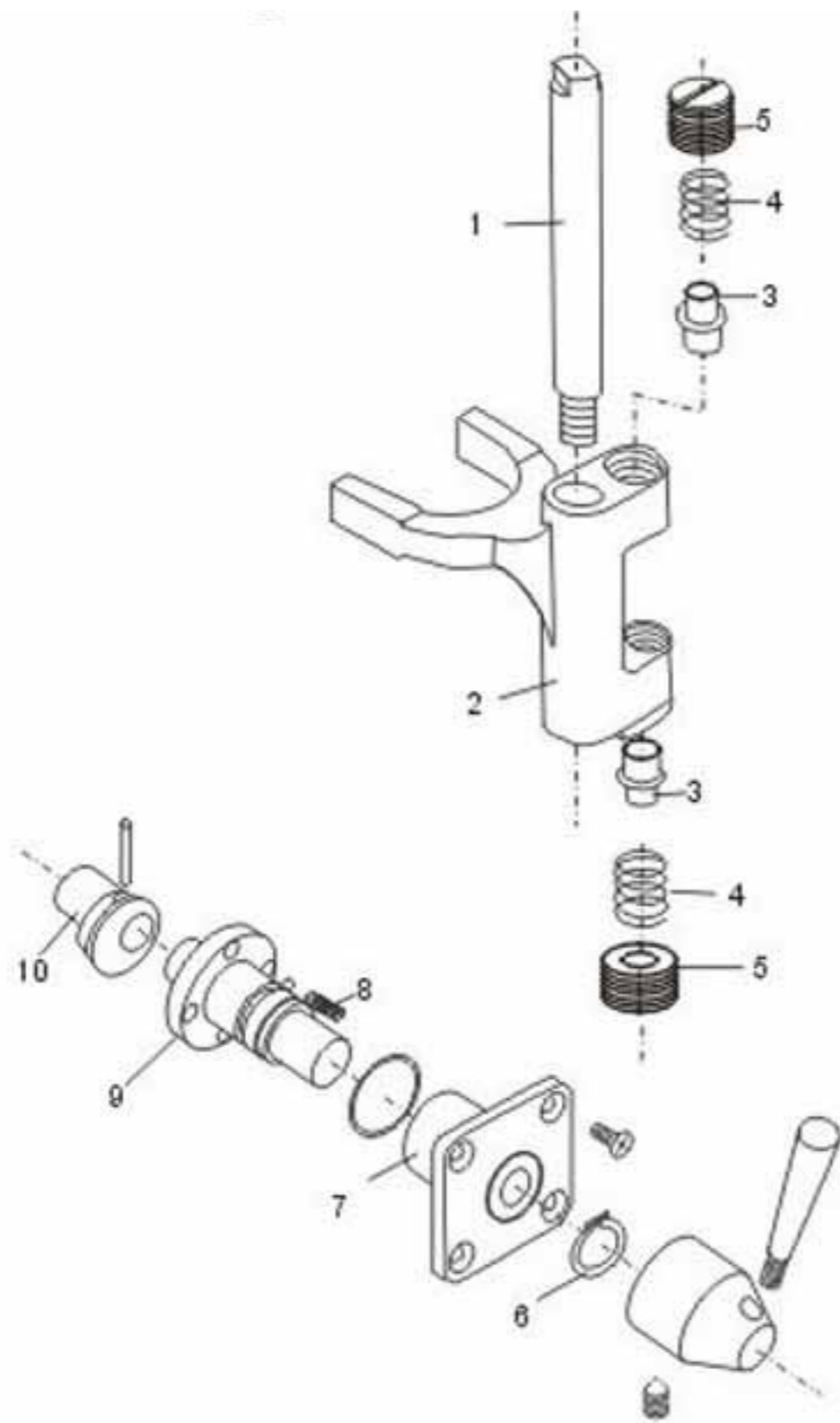


MOTOR UNIT - FIG 4



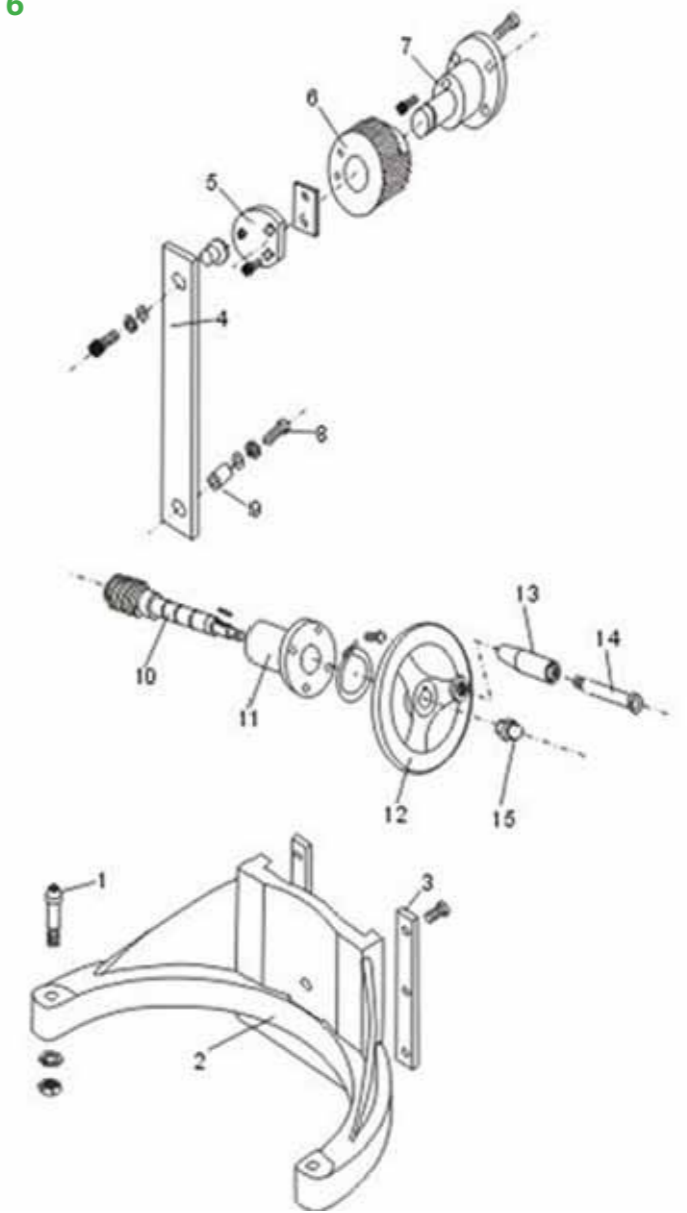
PMK5010

FORK & SPEED SHAFT - FIG 5



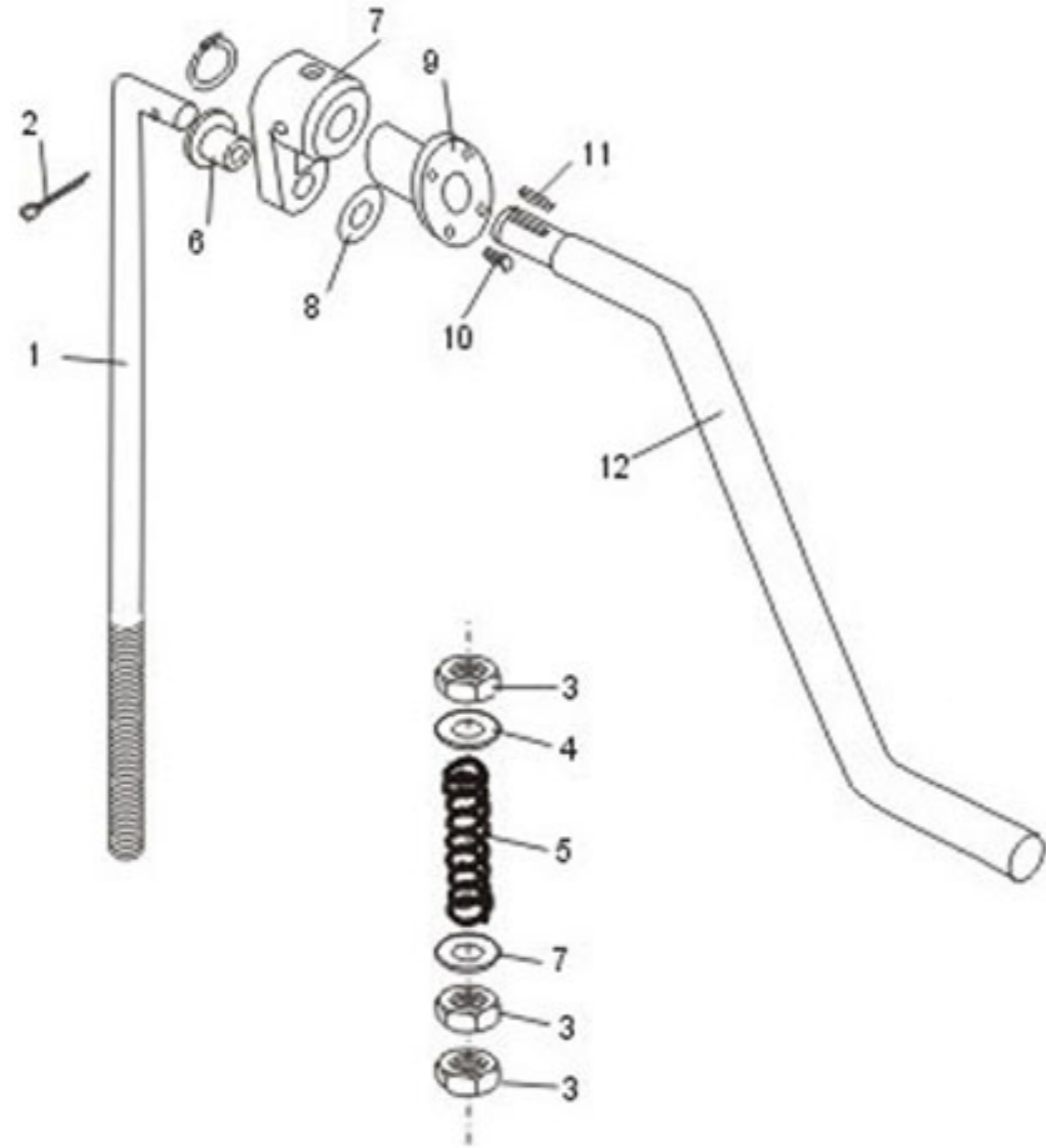
PMK5010

ARM & HANDWHEEL BOWL LIFTER UNIT - FIG 6



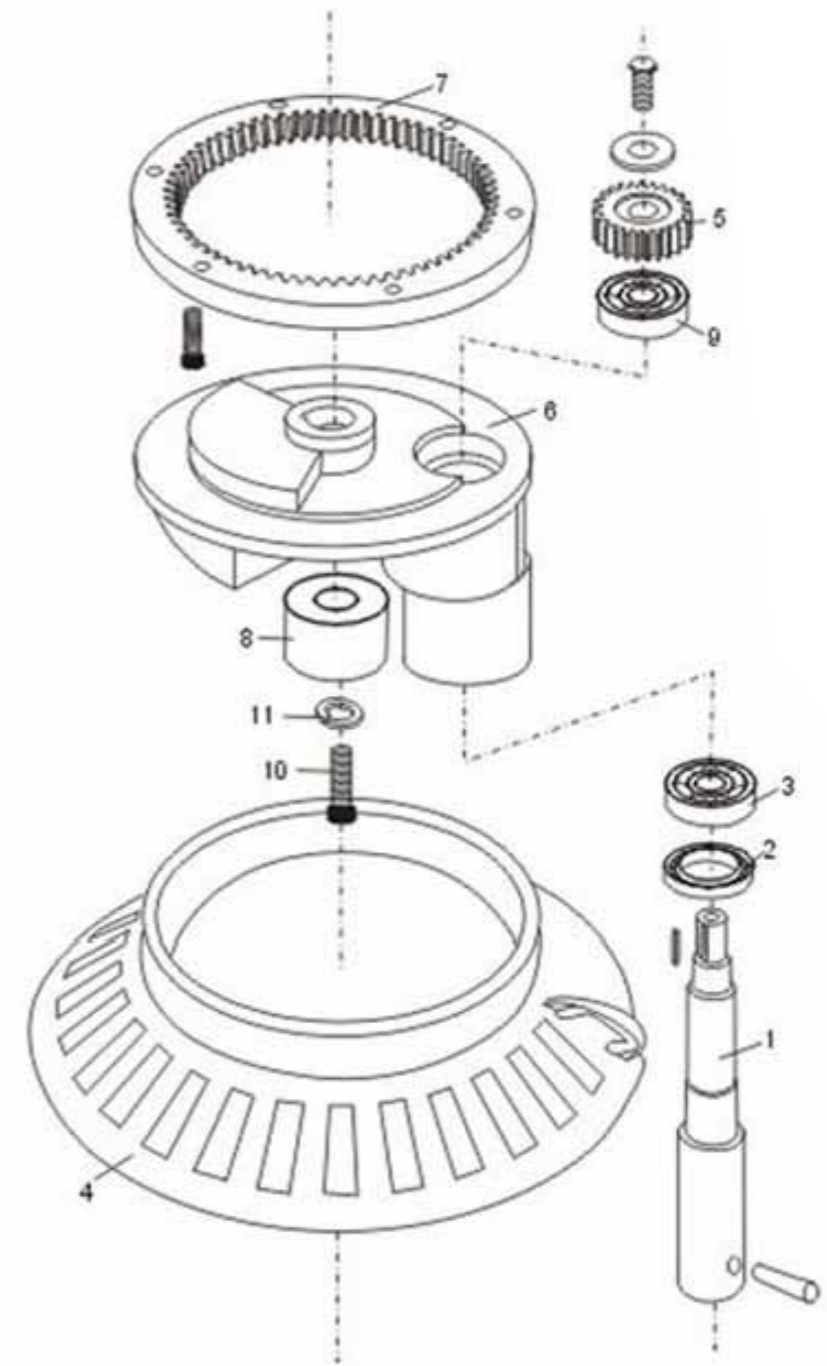
PMK5010

HAND LIFTER BOWL TYPE UNIT - FIG 7

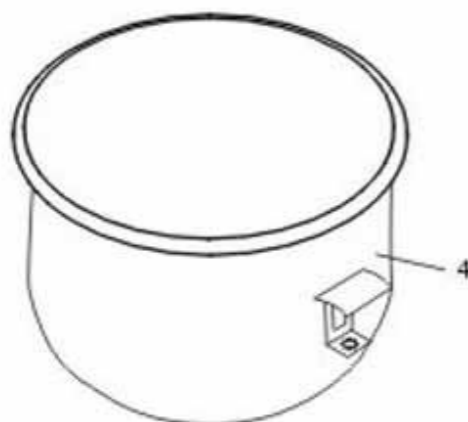


PMK5010

TURNING PLATE & MIXING AXLE - FIG 8



ACCESSORIES - FIG 9



BCE CODE	DESCRIPTION	MAN.CATALOGUE NUMBER	DRAWING REF
XPMK5047	PLANETARY MIXER 10LT-REAR MOTOR COVER	Z-B10GF-F01-010Z	F1-10~13
XPMK6041	PLANETARY MIXER(B10GF) - PLASTIC BACK COVER	Z-B10GF-F01-010Z	F1-10~13
XPMK5077	PLANETARY MIXER 10LT-CAPACITOR	Z-B10GF-F01-017	F1-17
XPMK9903	PLANETARY MIXER (B10G) -SAFETY COVER SWITCH 10L	Z-B10GF-F01-019	F1-19
XPMK6044	PLANETARY MIXER(B10GF) - COVER	Z-B10GF-F01-002	F1-2
XPMK6025	PLANETARY MIXER (B10GF) - OVERLOAD PROTECTION SWITCH	Z-B10GF-F01-021	F1-21
XPMK9901	PLANETARY MIXER (B20G) -BEARING COVER 10L	Z-B20G-F01-007	F1-7
XPMK9902	PLANETARY MIXER (B10G) -BEARING COVER 10L	Z-B10GF-F01-007	F1-7
XPMK6047	PLANETARY MIXER (B10GF) -SPRING	Z-B10GF-F02-012	F2-12
XPMK6048	PLANETARY MIXER (B10GF) - 8 x 16 ROLLER	Z-B10GF-F02-013	F2-13
XPMK6006	PLANETARY MIXER (B10GF) -39T GEAR RING	Z-B10GF-F02-014	F2-14
XPMK5019	PLANETARY MIXER 10LT - GEAR RING PLATE	Z-B10GF-F02-015	F2-15
XPMK6018	PLANETARY MIXER (B10GF) - OIL SEAL	Z-B10GF-F02-002	F2-2
XPMK5017	PLANETARY MIXER 10LT-JOINT GEAR	Z-B10GF-F02-004	F2-4
XPMK5026	PLANETARY MIXER 10LT-BIG JOINT GEAR	Z-B10GF-F02-004	F2-4
XPMK6009	PLANETARY MIXER (B10GF) - 15T GEAR AXLE	Z-B10GF-F02-006	F2-6
XPMK6050	PLANETARY MIXER (B10GF) - JOINT	Z-B10GF-F02-007	F2-7
XPMK5024	PLANETARY MIXER 10LT-GEAR AXLE	Z-B10GF-F03-002	F3-2
XPMK6042	PLANETARY MIXER (B10GF) - KEY 5*58	Z-B10GF-F03-003	F3-3
XPMK6010	PLANETARY MIXER (B10GF) - 30T GEAR RING	Z-B10GF-F03-004	F3-4
XPMK6008	PLANETARY MIXER(B10GF)-21T GEAR FOR AXLE	Z-B10GF-F03-006	F3-6
XPMK6003	PLANETARY MIXER (B10GF) - MOTOR SPIRAL	Z-B10GF-F04-001	F4-1
XPMK6043	PLANETARY MIXER (B10GF) - BEARING COVER	Z-B10GF-F04-010	F4-10
XPMK5085	PLANETARY MIXER 10LT - MOTOR & AXLE	Z-B10GF-F04-005	F4-5
XPMK6030	PLANETARY MIXER (B10GF) - SWITCH & PLASTIC	Z-B10GF-F04-006Z	F4-6~7
XPMK6014	PLANETARY MIXER (B10GF) - FORK AXLE	Z-B10GF-F05-001	F5-1
XPMK6007	PLANETARY MIXER (B10GF) - FORK	Z-B10GF-F05-002Z	F5-2
XPMK5031	PLANETARY MIXER 10LT-GEAR SELECTOR/SPEED BLOCK	Z-B10GF-F05-006Z	F5-6~10
XPMK6027	PLANETARY MIXER (B10GF) - BOWL LIFTING SPIRAL SHAFTT	Z-B10GF-F06-010	F6-10
XPMK6023	PLANETARY MIXER (B10GF) - GEAR	Z-B10GF-F06-006	F6-6
XPMK6022	PLANETARY MIXER (B10GF) - BRACKET SEAT	Z-B10GF-F06-007	F6-7
XPMK6019	PLANETARY MIXER (B10GF) - MIXING AXLE	Z-B10GF-F08-001	F8-1
XPMK5005	PLANETARY MIXER 10LT-PLANETARY GEAR	Z-B10GF-F08-005	F8-5
XPMK6049	PLANETARY MIXER (B10GF) - TURNING PLATE	Z-B10GF-F08-006	F8-6
XPMK6029	PLANETARY MIXER (B10GF) - INNER GEAR	Z-B10GF-F08-007	F8-7
XPMK5080	PLANETARY MIXER 10LT-DOUGH MIXER FLAT BEATER	Z-B10GF-F09-001	F9-1
XPMK5081	PLANETARY MIXER 10LT-DOUGH HOOK	Z-B10GF-F09-002	F9-2
XPMK5079	PLANETARY MIXER 10LT-SPARE WHISK	Z-B10GF-F09-003	F9-3
XPMK5058	PLANETARY MIXER 10LT-SPARE BOWL	Z-B10GF-F09-004	F9-4
XPMF6026	PLANETARY MIXER (B10GF) - AC CONTACT	Z-B10GF-A05	
XPMK5083	PLANETARY MIXER 10LT-ON/OFF SWITCH - NEW	Z-B10GF-A01	
XPMK6045	PLANETARY MIXER (B10GF) - SIDE WINDOW	Z-B10GF-A07	
XPMK6046	PLANETARY MIXER (B10GF) - REAR WINDOW	Z-B10GF-A08	