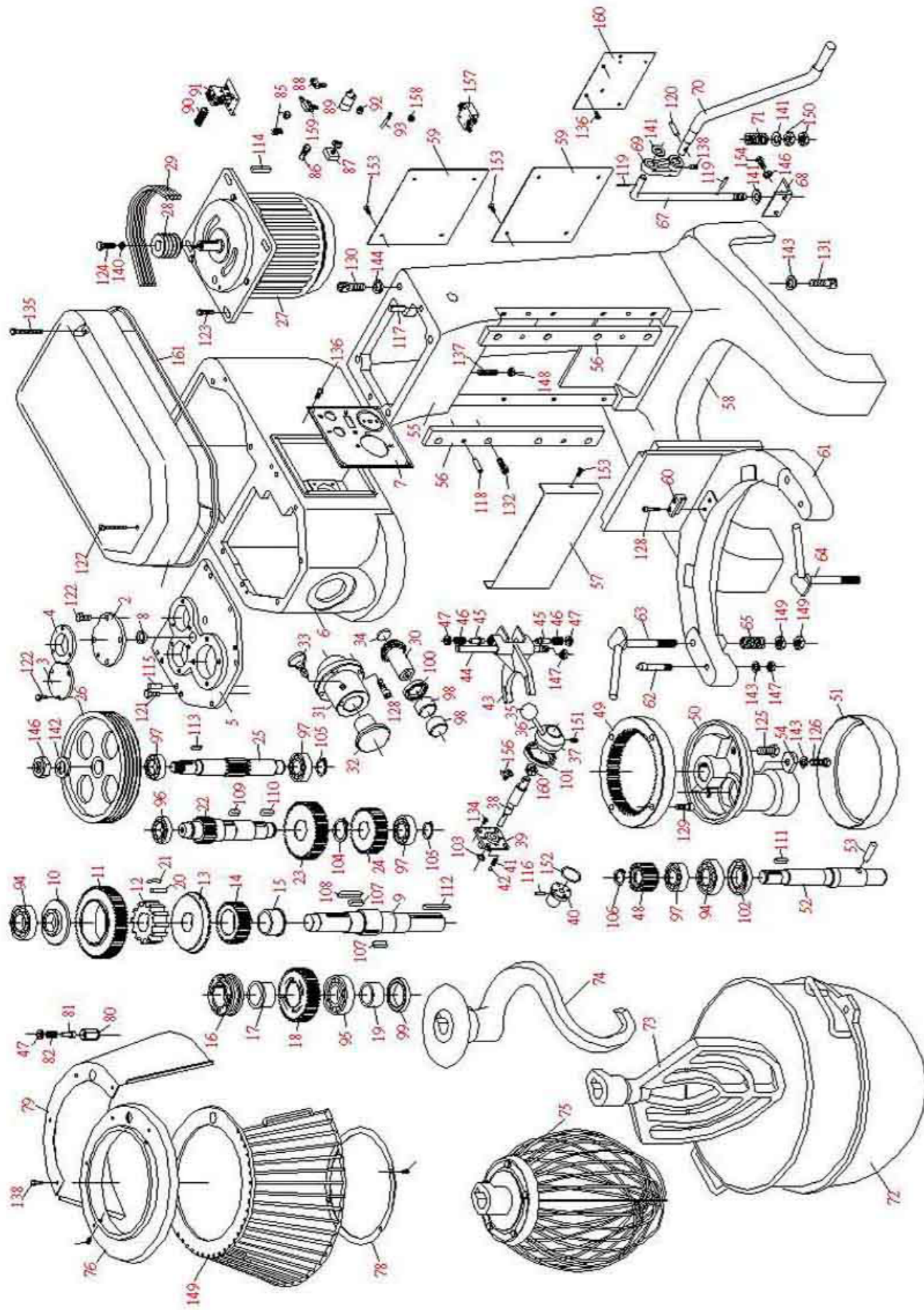


PMF1040



PMF1040

BCE CODE	DESCRIPTION	MAN.CATALOGUE NUMBER	DRAWING REF
XPMF8046	P/MIXER-40LT-COMplete MOTOR (ANKOR)	Z-BM40-027	27
XPMF8094	P/MIXER-40LT(BM0-40HSA) - TURNING PLATE	Z-BM40-050	50
XPMF8082	P/MIXER-40LT(BM-40HSA)-BOWL WITH STUD	Z-BM40-072	72
XPMF8007	P/MIXER-40LT-BOWL (ANKOR - PMF1040)	Z-BM40-72	72
XPMF8016	P/MIXER-40LT-FLAT BEATER (ANKOR)	Z-BM40-073	73
XPMF8092	P/MIXER-40LT-DOUGH HOOK (ANKOR)	Z-BM40-074	74
XPMF8003	P/MIXER-40LT-WHISK (ANKOR)	Z-BM40-075	75