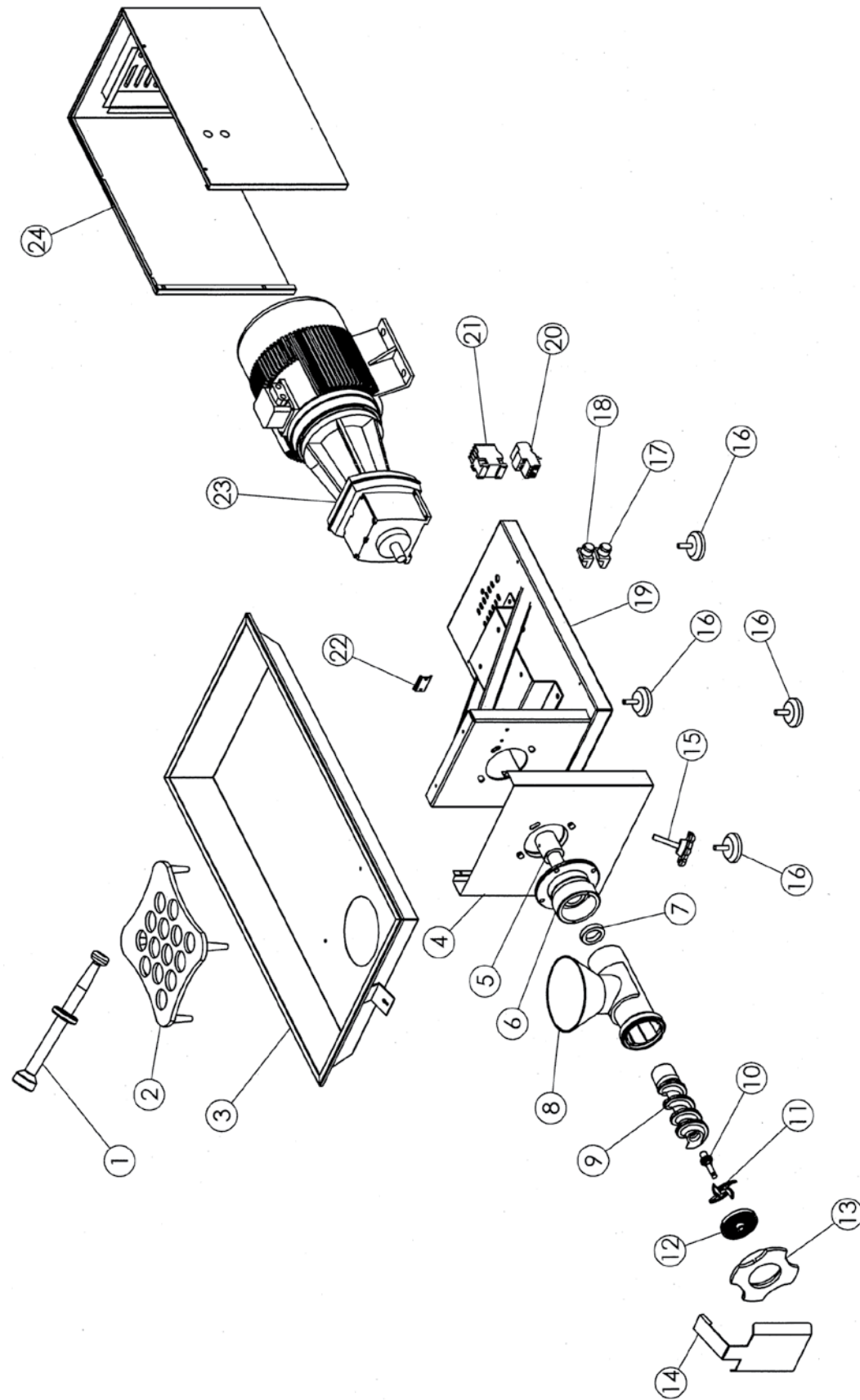


MNB0032



MNB0032

STOCK CODE	DESCRIPTION	MAN.PART NUMBER	DRAWING REF
XMNB2005	MINCER BUTCHERQUIP [32-NEW] - STOMPER	7-MI-320005	1
XMNB3208	MINCER TRAY ASSEMBLY	83-32M-SS-MTASS	3
XMNB2030	MINCER BUTCHERQUIP - SURROUND BODY	83-32M-SS-BDYFT	4
XMNB2016	MINCER BUTCHERQUIP [32-NEW] - MOTOR COUPLING	6-WC-MNB0032	5
XMNB2017	MINCER BUTCHERQUIP [32-NEW] - HUB ONLY	6-MH-MNB0032	6
XMNB2018	MINCER BUTCHERQUIP [32-NEW] - WEARING BUSH	6-MNB0032-BUSH	7
XMNB2020	MINCER BUTCHERQUIP [32-NEW] - WORM ASSEMBLY	7-WM-MNB0032	9
XMND2024	MINCER BUTCHERQUIP - (32 NEW) FRONT STUD	7-FS-MNB0032	10
XMNB2023	MINCER BUTCHERQUIP [32-NEW] - MINCER KNIFE	7-KN-MNB0032	11
XMNB2021	MINCER BUTCHERQUIP [32-NEW] - 4.5MM PLATE	7-P45-MNB0032	12
XMNB2022	MINCER BUTCHERQUIP [32-NEW] - LOCKING NUT	7-LN-MNB0032	13
XMNB2031	MINCER BUTCHERQUIP (32) - ADJUSTING KNOB	7-MI-320011	15
XBSB2047	BANDSAW BUTCHERQUIP - RUBBER FOOT	3-LFS-FT	16
XDMA0046	DOUGH MIXER ANKOR(ALL)-GREEN START BUTTON	1-PBG-JES0002	18
XMNB1001	MINCER BUTCHERQUIP[32-NEW]-RED PUSH BUTTON	1-PBR-JES0002	19
XMNB1012	MINCER BUTCHERQUIP[32]-380V OVERLOAD RELAY	1-ORL-MNB0032	20
XMNB2029	MINCER BUTHERQUIP - 380V - 40AMP CONTACTOR	1-380V-CONT-32A	21
XMNB0003	MINCER BUTCHERQUIP[32]-COMPLETE MOTOR 3P	1-MNB0032-GM	23
XMNB2027	MINCER BUTCHERQUIP (32) - BODY COVER	83-32M-SS-SURND	24

