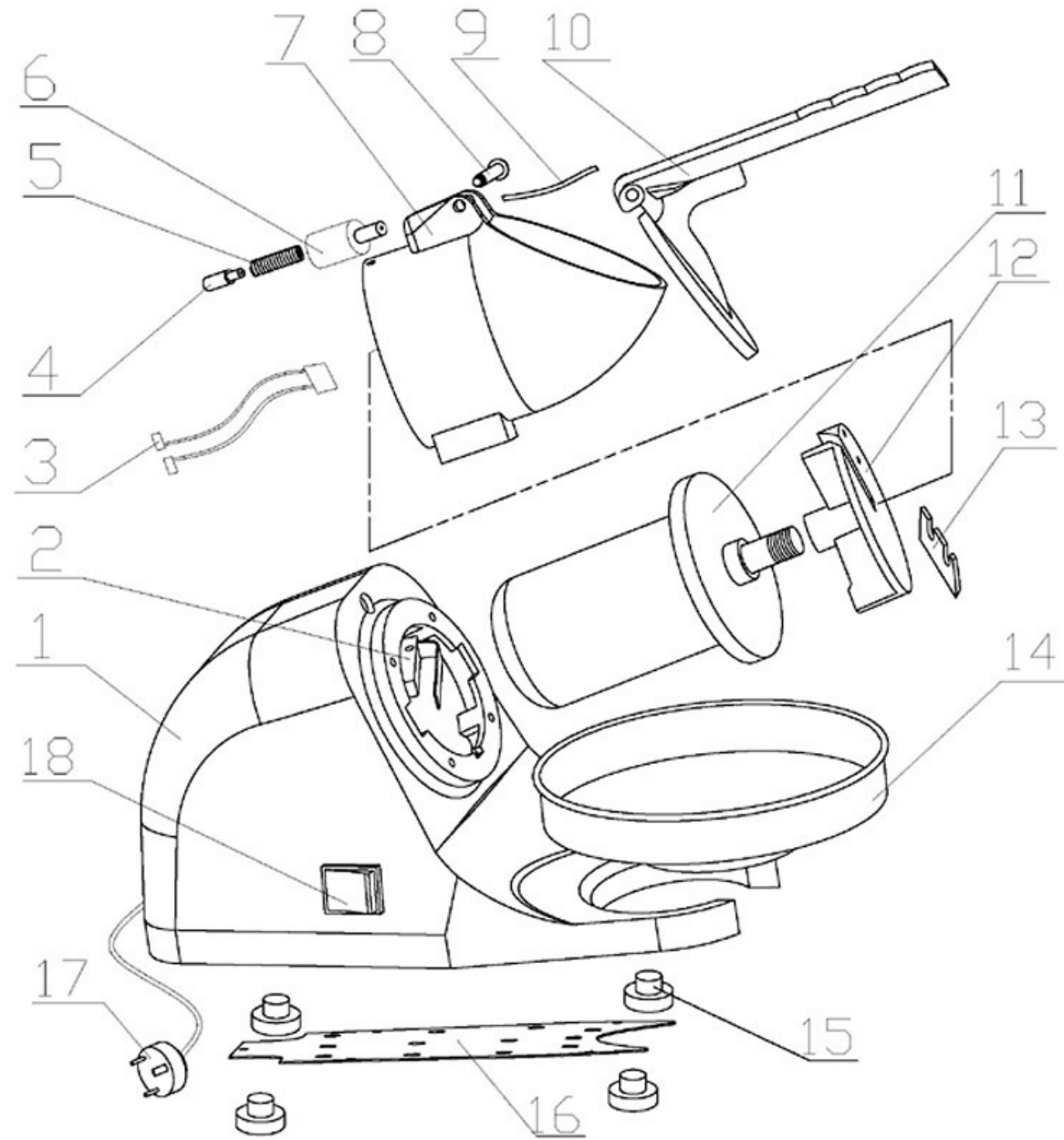


ICH0945

ICH0945



STOCK CODE	DESCRIPTION	MAN.PART NUMBER	DRAWING REF
XICH5002	ICE MACHINE (NEW) - POWER DOWN SWITCH	Z-ICC015N-002	2
XICH9506	ICE CRUSHER (NEW) - RECTIFIER - ICH0945	Z-ICC015N-003	3
XICH5005	ICE CRUSHER (NEW) - SPRING	Z-ICC015N-005	5
XICH5006	ICE MACHINE (NEW) ORIENTATION COVER	Z-ICC015N-006	6
XICH5007	ICE CRUSHER (NEW) - ICE BREAKER CONTAINER	Z-ICC015N-007	7
XICH5010	ICE CRUSHER (NEW) - HANDLE	Z-ICC015N-010	10
XICH9507	ICE CRUSHER (NEW) - MOTOR - ICH0945	Z-ICC015N-011	11
XICH5012	ICE CRUSHER (NEW) - TOOL CARRIER	Z-ICC015N-012	12
XICH5013	ICE CRUSHER (NEW) - BLADE	Z-ICC015N-013	13
XICH5014	ICE CRUSHER (NEW) - ICE BROKEN CONTAINER	Z-ICC015N-014	14
XICH5015	ICE CRUSHER (NEW) - RUBBER FOOT	Z-ICC015N-015	15
XICH5016	ICE CRUSHER (NEW) - MOTHERBOARD	Z-ICC015N-016	16
XICH5018	ICE CRUSHER (NEW) - SWITCH	Z-ICC015N-018	18
XICH5004	ICE CRUSHER (NEW) - TOP SHAFT/STEEL WIRE	Z-ICC015N-004Z	4 + 9