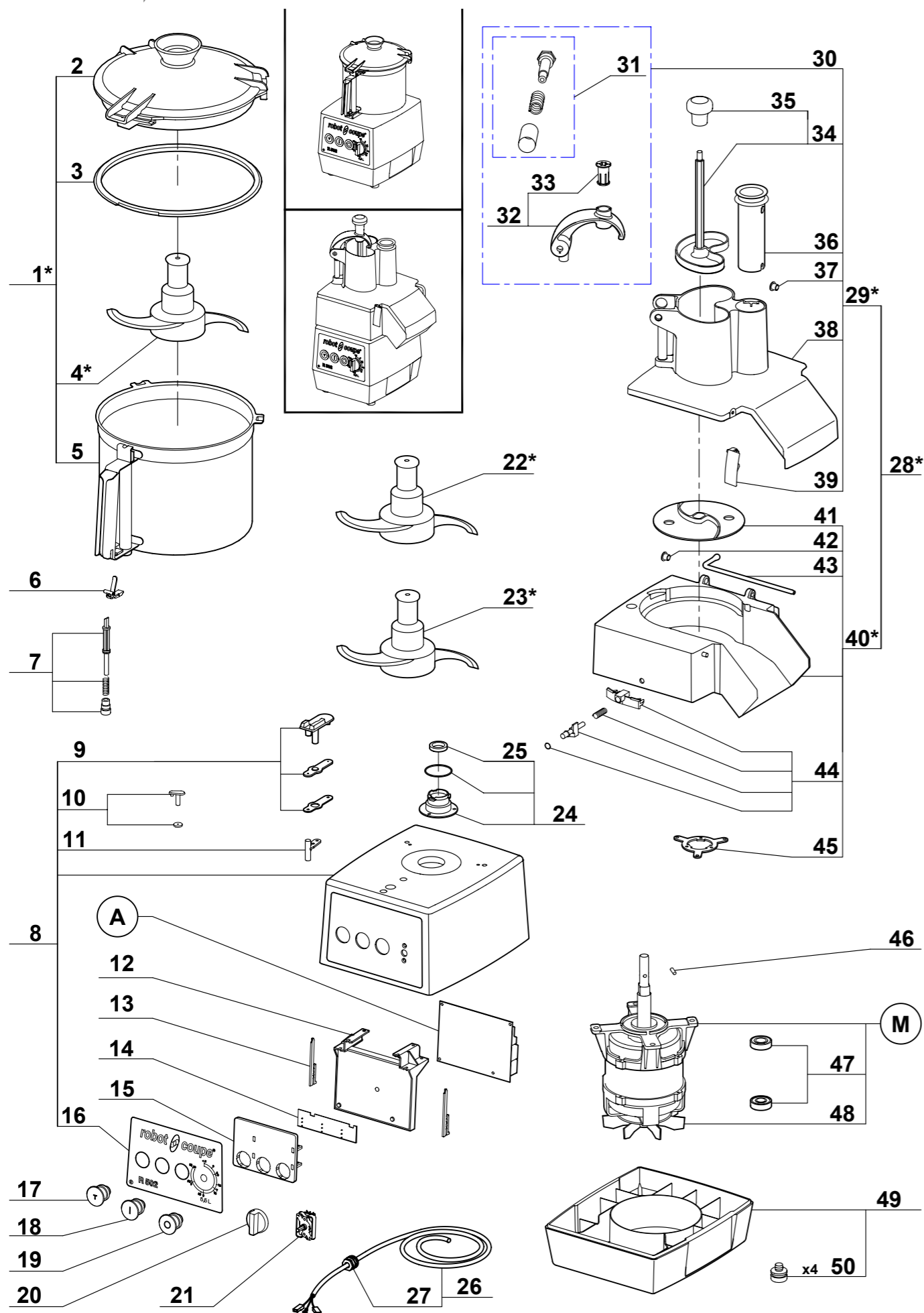


FPR0502

FPR0502



STOCK CODE	DESCRIPTION	MAN.PART NUMBER	DRAWING REF
XFPR0007	FOOD PROCESSOR R502 - LID SEAL	117 100	3
XBCR0061	BOWL CUTTER [R502/R5 PLUS] - STRAIGHT BLADE	27120	4
XFPR0008	FOOD PROCESSOR R502 - SAFETY ROAD ASSEMBLY	39 474	7
XFPR0009	FOOD PROCESSOR R502 - REED SWITCH CUTTER ASSEMBLY	29 586	9
XBCR0049	BOWL CUTTER R5 A - BOWL SUPPORT ASSEMBLY	29 336	10
XFPR0010	FOOD PROCESSOR R502 - REED SWITCH VEGETABLE ASSEMBLY	39 277	11
XBCR0077	BOWL CUTTER(R 4 V.V.) PCB LOCKING KEY	117703	13
XFPR0011	FOOD PROCESSOR R502 - CONTROLS PCB	117813	14
XVPR0060	ROBO COUPE-CL50 SUPPORT ASSEMBLY	29533	15
XVPR0003	VEG PREP CL 50 E - FLAT GREEN KNOB	502170	18
XVPR0004	VEG PREP CL 50 E - FLAT RED KNOB	502169	19
XFPR0012	FOOD PROCESSOR R502 - COMMUTATOR HANDLE	117 072	20
XFPR0013	FOOD PROCESSOR R502 - COMMUTATOR	117 792	21
XFPR0005	COARSE SERRATED BLADE - R502	27121	22
XFPR0004	R502 FINE SERRATED BLADE	27351	23
XFPR0014	FOOD PROCESSOR R502 - SEAL RING	501 624	25
XVPR0058	ROBO COUPE-VEG PREP BASE FOR R502	27340	28
XFPR0015	FOOD PROCESSOR R502 - PUSHER GUIDE	100 638	33
XVPR0001	VEG PREP CL 50 E - PUSHER ASSEMBLY AFS	39701	34
XFPR0053	FOOD PROCESSOR R301 - ROUND PUSHER	118324	36
XFPR0016	FOOD PROCESSOR R502 - SHOULDERED RING ASSEMBLY	39 705	37
XVPR0006	VEG PREP CL50 E - SLING PLATE	102690	41
XFPR0017	FOOD PROCESSOR R502 - RING ASSEMBLY	29 058	42
XVPR0015	VEG PREP CL50 E - HINGE PIN	100703	43
XFPR0018	FOOD PROCESSOR R502 - MOTOR SHAFT PIN	110 308	46
XFPR0019	FOOD PROCESSOR R502 - BEARING ASSEMBLY	39 819	47
XFPR0020	FOOD PROCESSOR R502 - GREY FOOT	39 833	50
XFPR0021	FOOD PROCESSOR R502 - POWER CIRCUIT BOARD	102 600	A
XFPR0022	FOOD PROCESSOR R502 - MOTOR	303042	M