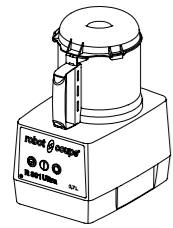


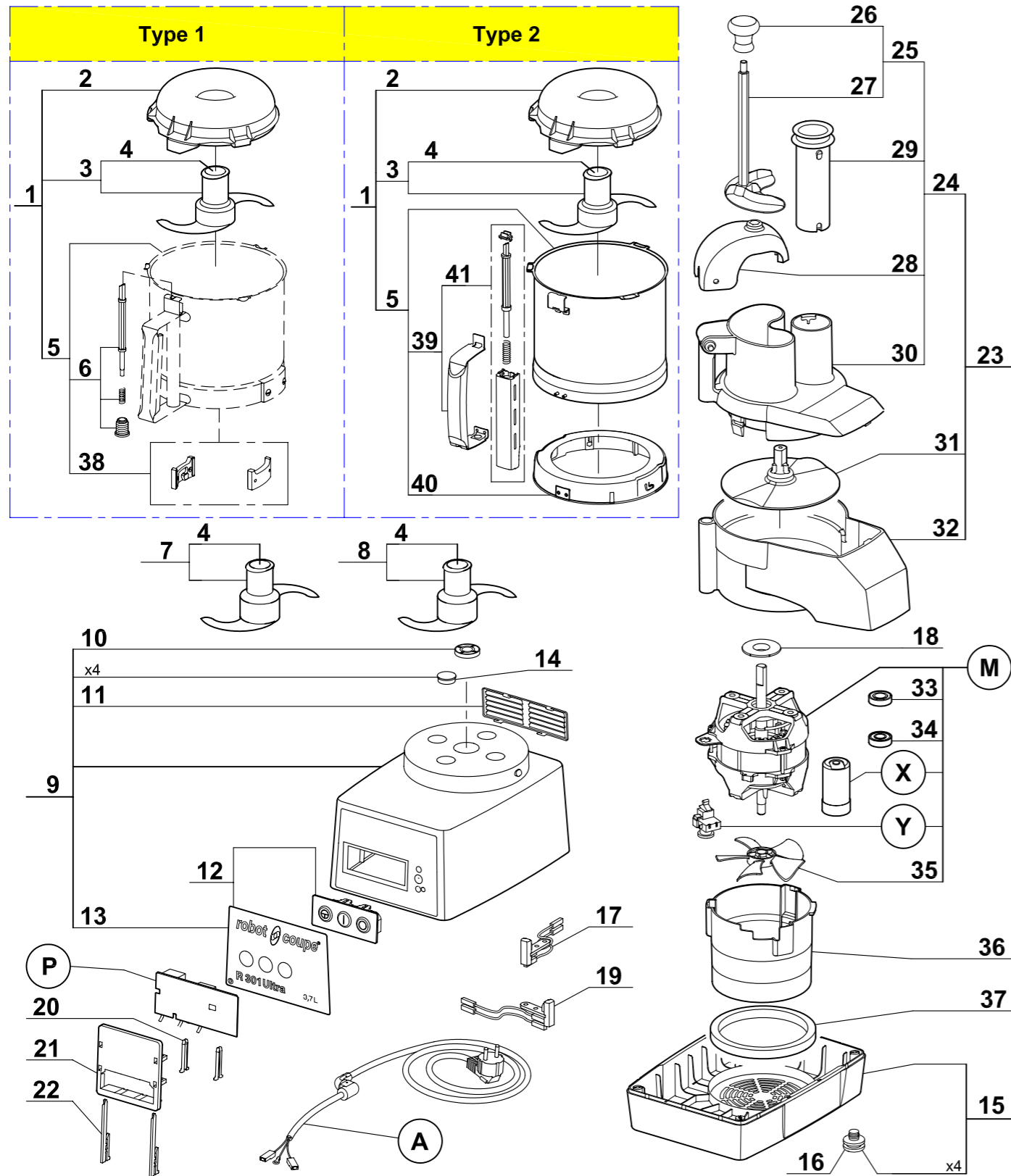
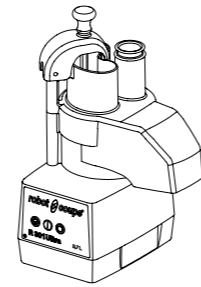
FPR0301

FPR0301



**WARNING :**

Choose the spare parts in accordance with the bowl type. As the complete bowl or the cutter attachment are fully interchangeable, for all types choose respectively item 5 or 1.



STOCK CODE	DESCRIPTION	MAN.PART NUMBER	DRAWING REF
XFPR0037	FOOD PROCESSOR R301 - CUTTER LID	117395	2
XFPR0057	ROBOT-COUPÉ R 301 D STRAIGHT BLADE	27286	3
XFPR0062	FOOD PROCESSOR(R301/401)MIXING CUTTER BOWL ASSEMBLY	39759	5
XFPR0055	ROBOT-COUPÉ R301 D FINE SERRATED BLADE	27287	7
XFPR0058	ROBOT-COUPÉ R301 D COARSE SERRATED BLADE	27288	8
XFPR0038	FOOD PROCESSOR R301 - SHAFT SEAL	501010	10
XFPR0039	FOOD PROCESSOR R301 - VENTILATION GRID	104122	11
XBCR0035	BOWL CUTTER R 3D - BOLT COVER	104 121	14
XFPR0040	FOOD PROCESSOR R301 - FOOT	101082	16
XFPR0041	FOOD PROCESSOR R301 - VEG SLICER SAFETY SWITCH	29356	17
XFPR0042	FOOD PROCESSOR R301 - MOTOR CENTRING	104078	18
XFPR0043	FOOD PROCESSOR R301 - CUTTER SAFETY SWITCH	29451	19
XBCR0075	BOWL CUTTER (R 4 V.V.)PANEL KEY	102913	20
XBCR0076	BOWL CUTTER (R 4 V.V.)PCB SUPPORT	102911	21
XBCR0077	BOWL CUTTER(R 4 V.V.) PCB LOCKING KEY	117703	22
XFPR0067	ROBO COUPÉ-PUSHER ASSEMBLY R301C	29880	25
XFPR0006	FOOD PROCESSOR R301 ULTRA D - HANDLE KNOB	102021	26
XFPR0053	FOOD PROCESSOR R301 - ROUND PUSHER	118324	29
XVPR0038	VEG PREP CL20 D - SLING PLATE	104921	31
XFPR0045	FOOD PROCESSOR R301 - UPPER BALL BEARING 6002 2RS	504229	33
XFPR0046	FOOD PROCESSOR R301 - LOWER BALL BEARING 6201 2RS	600457	34
XVPR0086	ROBO COUPÉ- CL30 MOTOR FAN	117610	35
BO0065	R/COUPÉ R3D 1500 - FAN GUIDE	104 110	36
BO0066	R/COUPÉ R3D 1500 - ABSORBER	101 099	37
XBLX0001	BLIXER 3 - LOCKING PLATE ASSY	29081	38
XFPR0047	FOOS PROCESSOR R301 - BOWL HANDLE ASSEMBLY	39752	39
XFPR0048	FOOD PROCESSOR R301 - LOCKING WASHER ASSEMBLY	39797	40