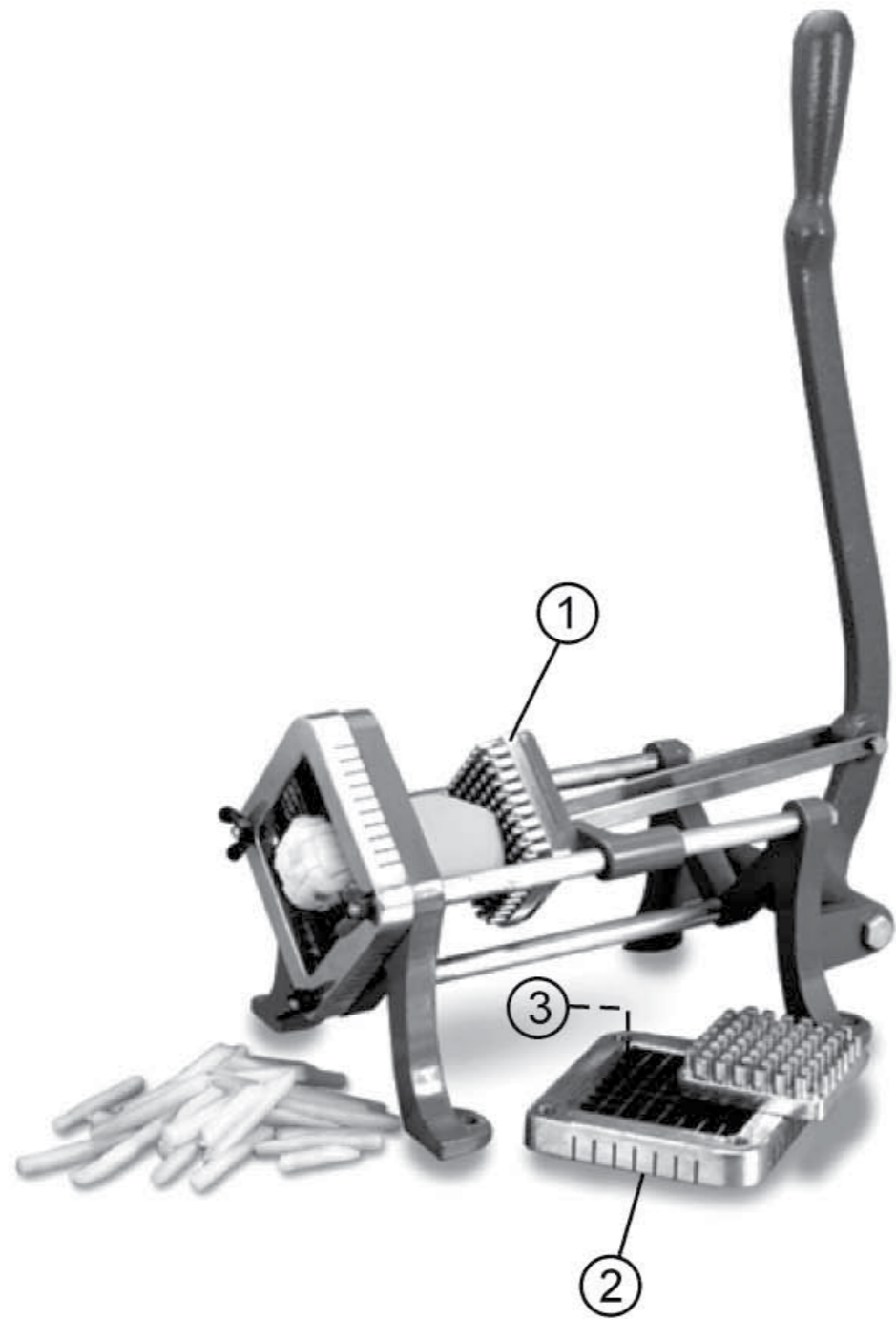


CHF0010

CHF0010



STOCK CODE	DESCRIPTION	MAN.PART NUMBER	DRAWING REF
XCHH1006	FRENCH FRY CUTTER - PUSH BLOCK 6mm	FC-250P	1
XCHH1010	FRENCH FRY CUTTER - PUSH BLOCK 10mm	FC-375P	1
XCHH1012	FRENCH FRY CUTTER - PUSH BLOCK 12mm	FC-500P	1
XCHH3006	FRENCH FRY CUTTER - BLADE FRAME 6mm	FC-250C	2
XCHH3010	FRENCH FRY CUTTER - BLADE FRAME 10mm	FC-375C	2
XCHH3012	FRENCH FRY CUTTER - BLADE FRAME 12mm	FC-500C	2
XCHH2006	FRENCH FRY CUTTER - BLADES ONLY 6mm		3
XCHH2010	FRENCH FRY CUTTER - BLADES ONLY 10mm	FC-375B	3
XCHH2012	FRENCH FRY CUTTER - BLADES ONLY 12mm		3