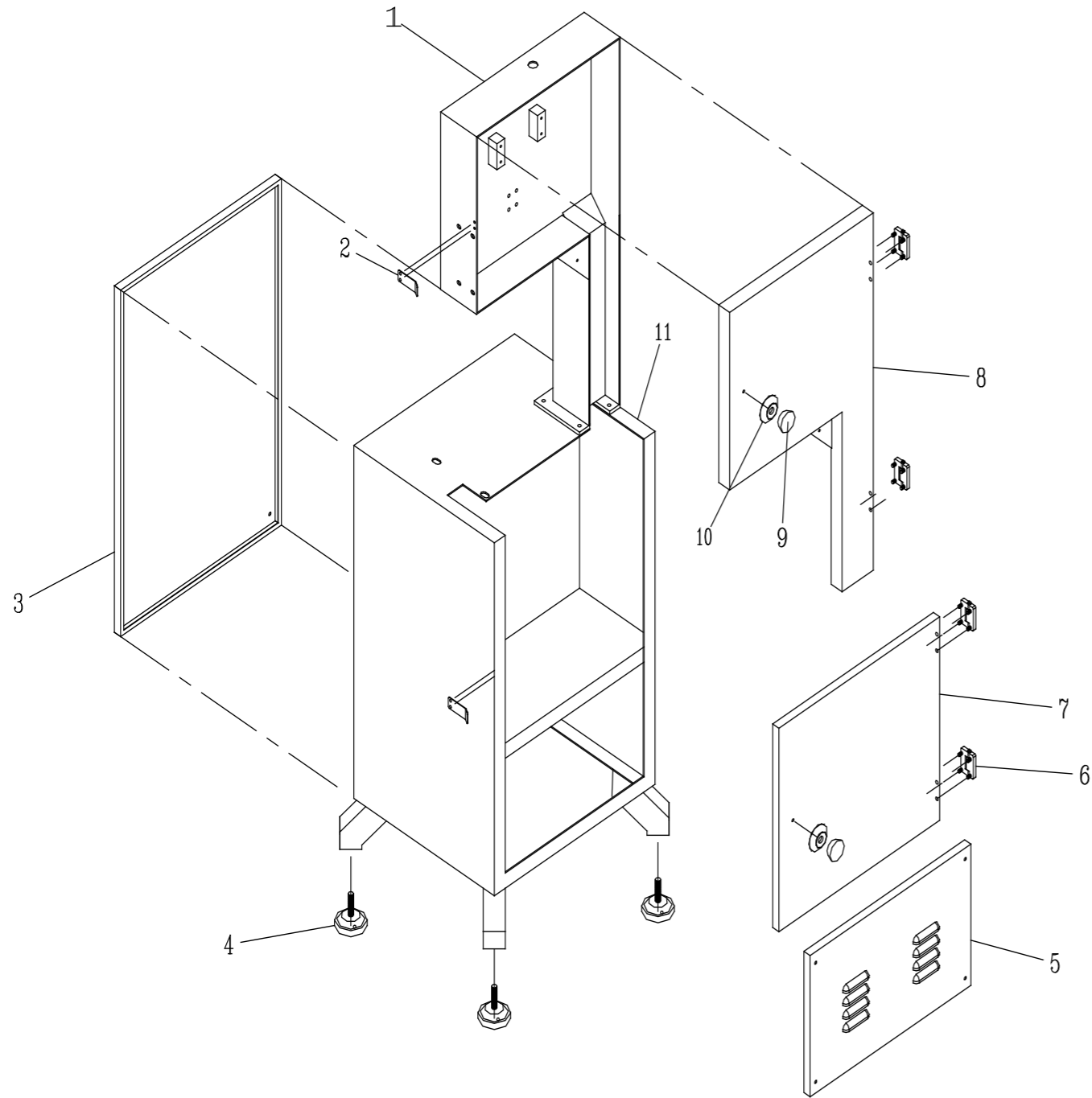


BP
18/2/9

STOCK CODE	DESCRIPTION	MAN.PART NUMBER	DRAWING REF
XBSB2003	BANDSAW BUTCHERQUIP - MOUNTING BRACKET	8-BS-TEN-GUIDE	1
XBSB2140	BANDSAW B/QUIP - LOCKING PLATE BRACKET	8-BS-GP-ANGLE	3
XBSB2019	BANDSAW BUTCHERQUIP - BONE DUST BOX	83-BS-SS-BNDBOX	4
XBSB2047	BANDSAW BUTCHERQUIP - RUBBER FOOT	3-LFS-FT	5
BSB0112	BANDSAW BLADE - 2845 X 16mm (112")		7

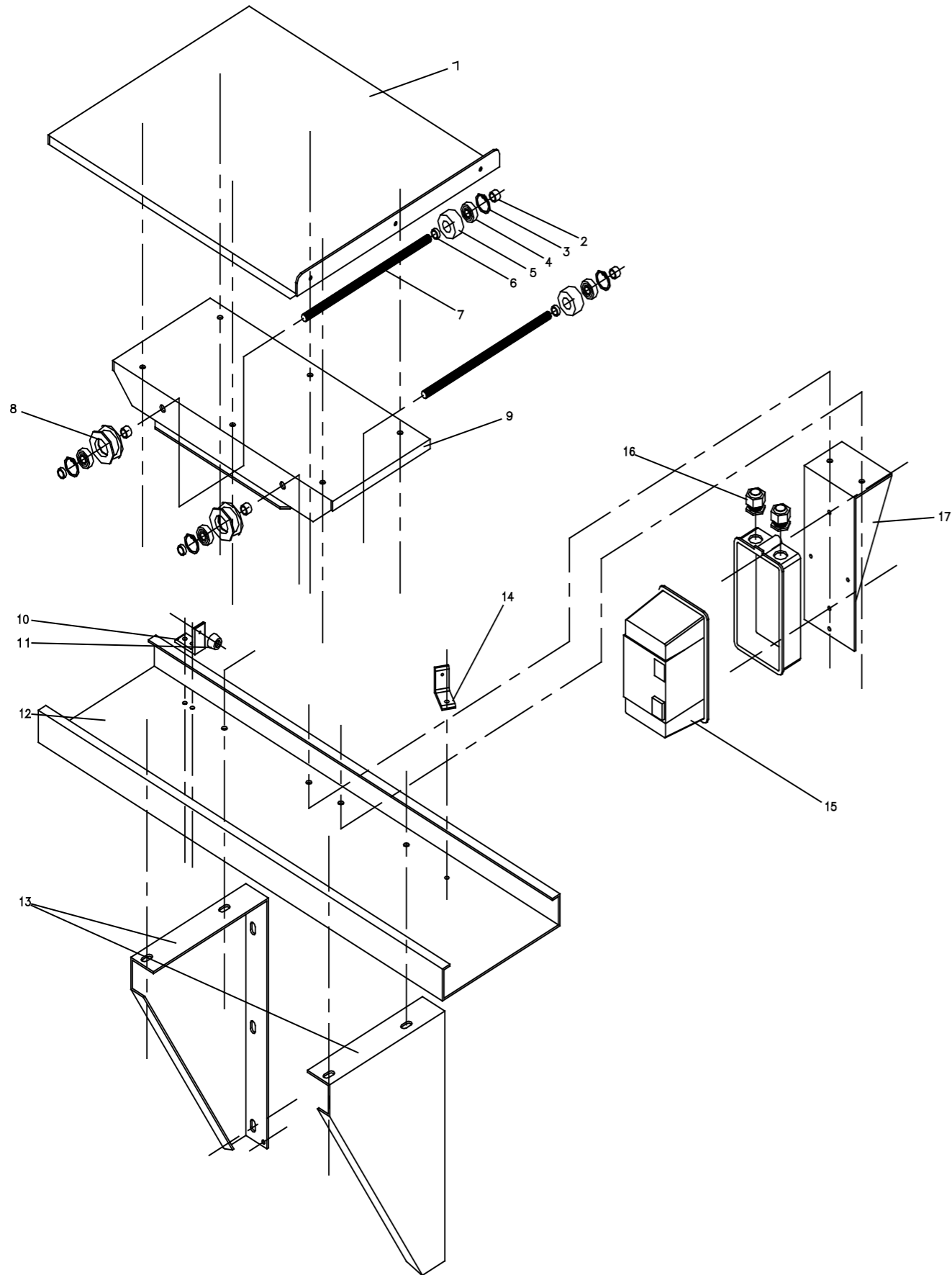
BSB5001

BSB5001



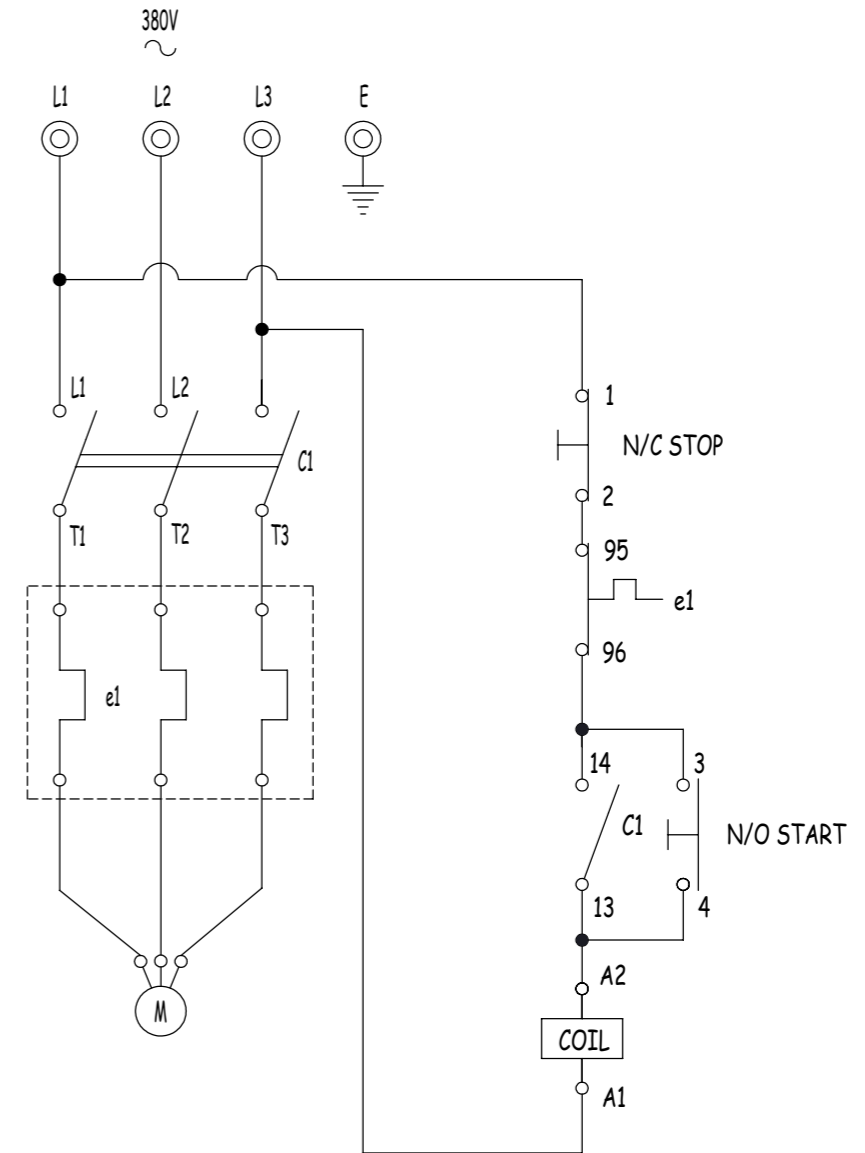
STOCK CODE	DESCRIPTION	MAN.PART NUMBER	DRAWING REF
XBSB2018	BANDSAW BUTCHERQUIP - DOOR LATCH (NEW)	7-BS-DC	2
XBSB2047	BANDSAW BUTCHERQUIP - RUBBER FOOT	3-LFS-FT	4
XBSB2110	BANDSAW B/QUIP- HINGE (NEW TYPE)	7-PH-BH	6
XBSB2027	BANDSAW BUTCHERQUIP - DOOR KNOB (NEW)	3-BS-DOOR-KNOB	9

BSB5001



BSB5001

STOCK CODE	DESCRIPTION	MAN.PART NUMBER	DRAWING REF
XBSB2014	BANDSAW BUTCHERQUIP - WIDE SPACER	6-BS-WSPACER	2
XBSB2015	BANDSAW BUTCHERQUIP - NARROW SPACER	6-BS-NSPACER	6
XBSB2054	BANDSAW B\QUIP - GROOVED WHEEL COMPLETE	6-BS-G/WHEEL-1	8
XTSA1015	TOASTER ANVIL (TSA1009) - RUBBER FOOT	3-S-RDS	11
XPPA0014	POTATOPEELER (ANVIL APEX)CABLE GLAND	3-0-CG	16



STOCK CODE	DESCRIPTION	MAN.PART NUMBER	DRAWING REF
XMNB2029	MINCER BUTHERQUIP - 380V - 32AMP CONTACTOR	1-380V-CONT-32A	c1
XMNB1012	MINCER BUTCHERQUIP[32]-380V OVERLOAD RELAY	1-ORL-MNB0032	e1
XJEA0003	JUICE EXTRACTOR ANVIL -PUSH BUTTON SWITCH	1-PBR-JES0002	N/C
XDMA0046	DOUGH MIXER ANKOR(ALL)-GREEN START BUTTON	1-PBG-JES0002	N/O
XBSB2022	BANDSAW BUTCHERQUIP -3 PHASE MOTOR	1-MOT-B/SAW	M