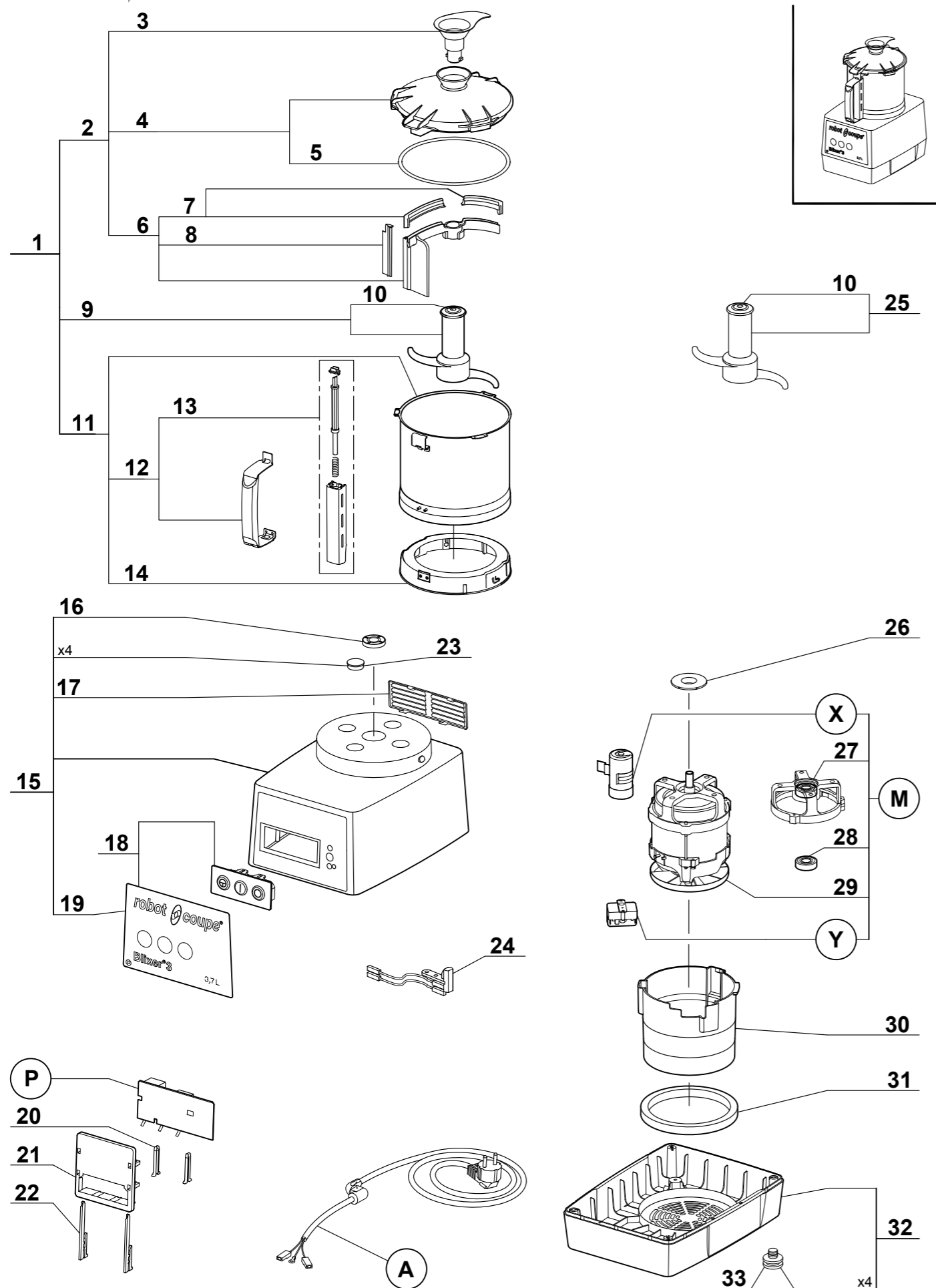


BLX0003



BLX0003

STOCK CODE	DESCRIPTION	MAN.PART NUMBER	DRAWING REF
XBLX0002	BLIXER 3 - LID SEAL ASSEMBLY	39756	5
XBLX0003	BLIXER 3 - LID SCRAPER ASSEMBLY	39754	7
XBLX0004	BLIXER 3 - BOWL SCRAPER ASSEMBLY	39746	8
XBLX0005	BLIXER 3 - BLADE COVER	104935	10
XBLX0006	BLIXER 3 - BOWL HANDLE ASSEMBLY	39752	12
XFPR0048	FOOD PROCESSOR R301 - LOCKING WASHER ASSEMBLY	39797	14
XBLX0007	BLIXER 3 - SHAFT SEAL	501010	16
XFPR0039	FOOD PROCESSOR R301 - VENTILATION GRID	104122	17
XBCR0075	BOWL CUTTER (R 4 V.V.)PANEL KEY	102913	20
XBCR0076	BOWL CUTTER (R 4 V.V.)PCB SUPPORT	102911	21
XBCR0077	BOWL CUTTER(R 4 V.V.) PCB LOCKING KEY	117703	22
XBLX0008	BLIXER 3 - BOLT COVER	104070	23
XBLX0009	BLIXER 3 - CUTTER SAFETY SWITCH	29451	24
XBLX0010	BLIXER 3 - UPPER BALL-BEARING WITH BRACKET	106268	27
XBLX0011	BLIXER 3 - LOWER BALL-BEARING	501270	28
XBLX0012	BLIXER 3 - FOOT	101082	33
XBLX0016	BLIXER 3 - MOTOR	303161	M
XBLX0013	BLIXER 3 - CONTROL BOARD	103695	P
XBLX0014	BLIXER 3 - STARTING CAPACITOR	502474	X
XBLX0015	BLIXER 3 - MOTOR STARTING RELAY	503092	Y