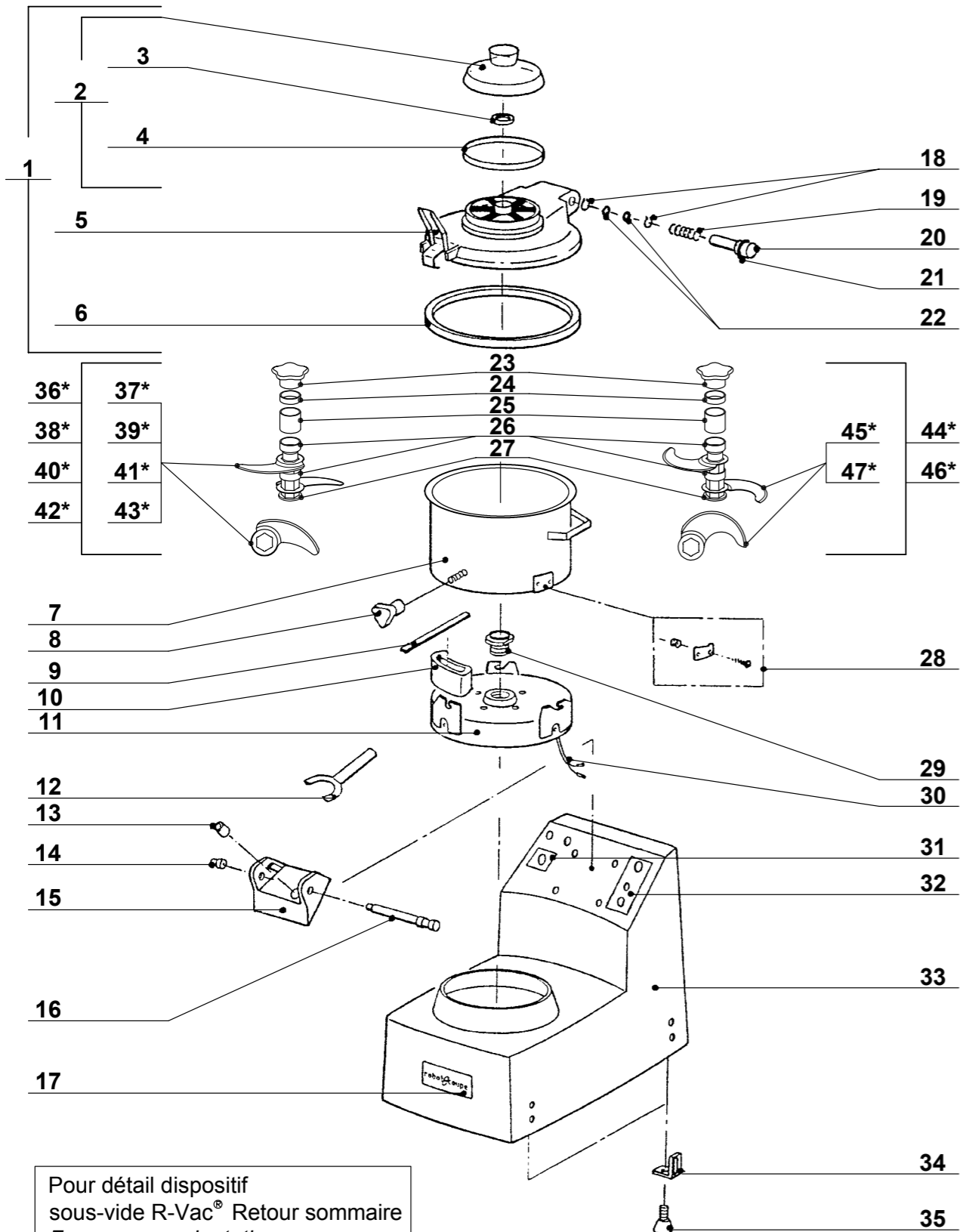


BCR0010

BCR0010

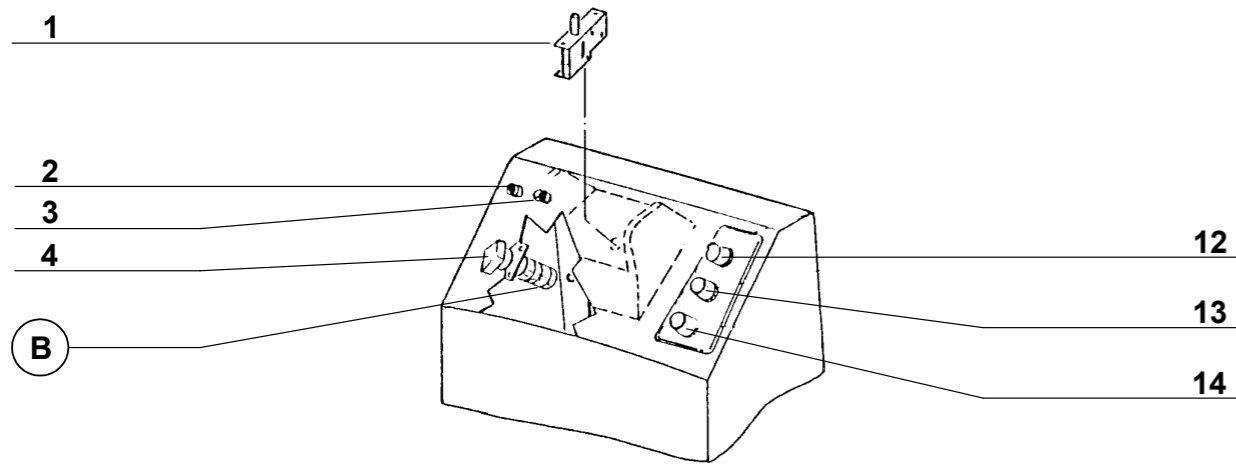


Pour détail dispositif sous-vide R-Vac® Retour sommaire
 For vacuum adaptation
 Kit R-Vac® Return to the summary

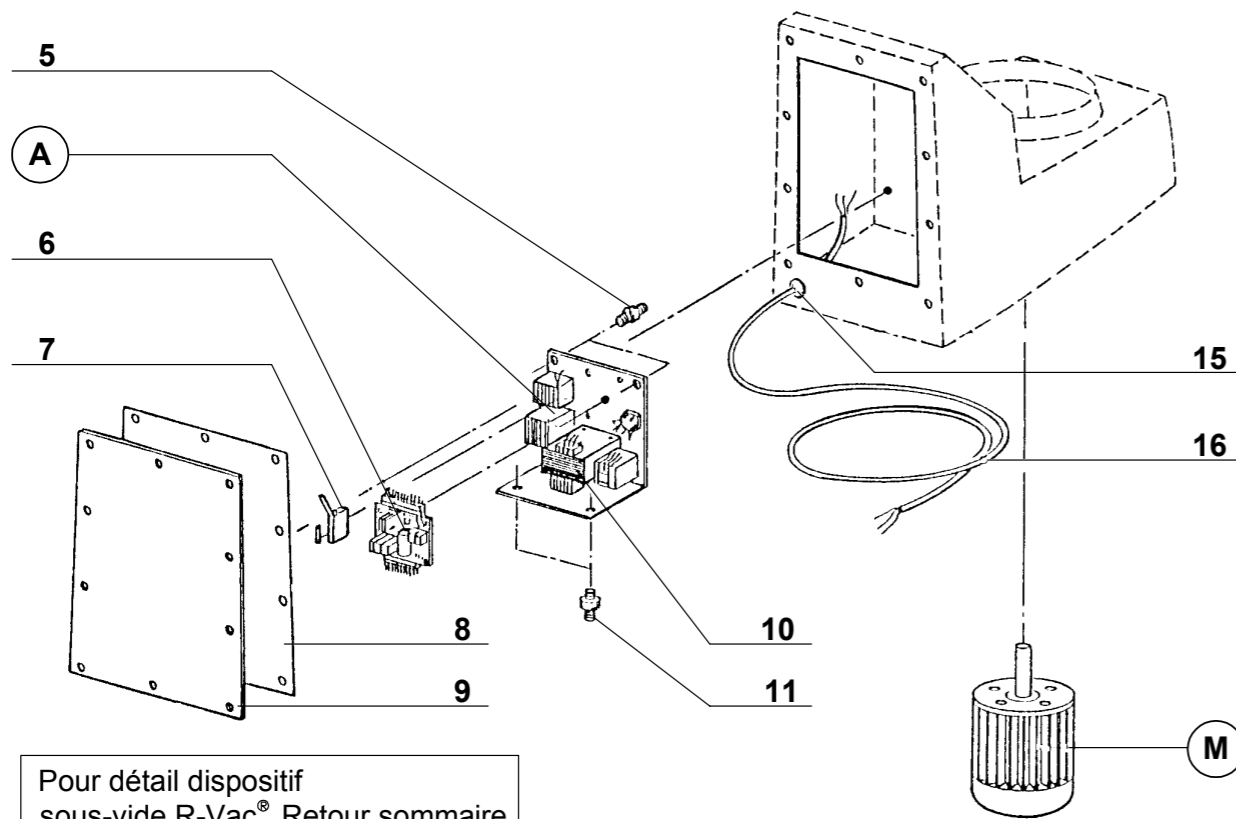
STOCK CODE	DESCRIPTION	MAN.PART NUMBER	DRAWING REF
XBCR0001	BOWL CUTTER R10 D - PLASTIC LID ASSEMBLY	29 108	2
XBCR0002	BOWL CUTTER R10 D - LID SEAL	117 641	6
XBCR0094	BOWL CUTTER R10 D - SOCKET KEY / SPANNER	101930	12
XBCR0003	BOWL CUTTER R10 D - SAFETY SOCKET	101 315	13
XBCR0004	BOWL CUTTER R10 D - NYLON RING	117 645	14
XBCR0005	BOWL CUTTER R10 D - SEAL NAPN	502 508	21
XBCR0006	BOWL CUTTER R10 D - X RING	502 509	22
XBCR0007	BOWL CUTTER R10 D - PLASTIC RING 15mm	100 848	24
XBCR0008	BOWL CUTTER R10 D - BOWL LOCKING PLATE ASSEMBLY	29 114	28
XBCR0009	BOWL CUTTER R10 D - SEALING SOCKET ASSEMBLY	29 068	29
XBCR0010	BOWL CUTTER R10 D - REED SWITCH	29 241	30
XBCR0059	ROBOT-COUPÉ CURVED BLADE STR-R10/20	119166	45

BCR0010

BCR0010



STOCK CODE	DESCRIPTION	MAN.PART NUMBER	DRAWING REF
XBCR0011	BOWL CUTTER R10 D - SAFETY SWITCH ASSEMBLY	29 262	1
XBCR0012	BOWL CUTTER R10 D - CRISTAL LAMP	500 520	2
XBCR0013	BOWL CUTTER R10 D - GREEN LAMP	500 518	3
XBCR0014	BOWL CUTTER R10 D - ELECTRONIC CIRC. BOARD	29 070	6
XBCR0015	BOWL CUTTER R10 D - RED KNOB	500 321	12
XBCR0016	BOWL CUTTER R10 D - GREEN KNOB	500 322	13
XBCR0017	BOWL CUTTER R10 D - BLACK KNOB	500 301	14
XBCR0018	BOWL CUTTER R10 D - ROTARY SWITCH	500 550	B



Pour détail dispositif sous-vide R-Vac® Retour sommaire
 For vacuum adaptation
 Kit R-Vac® Return to the summary