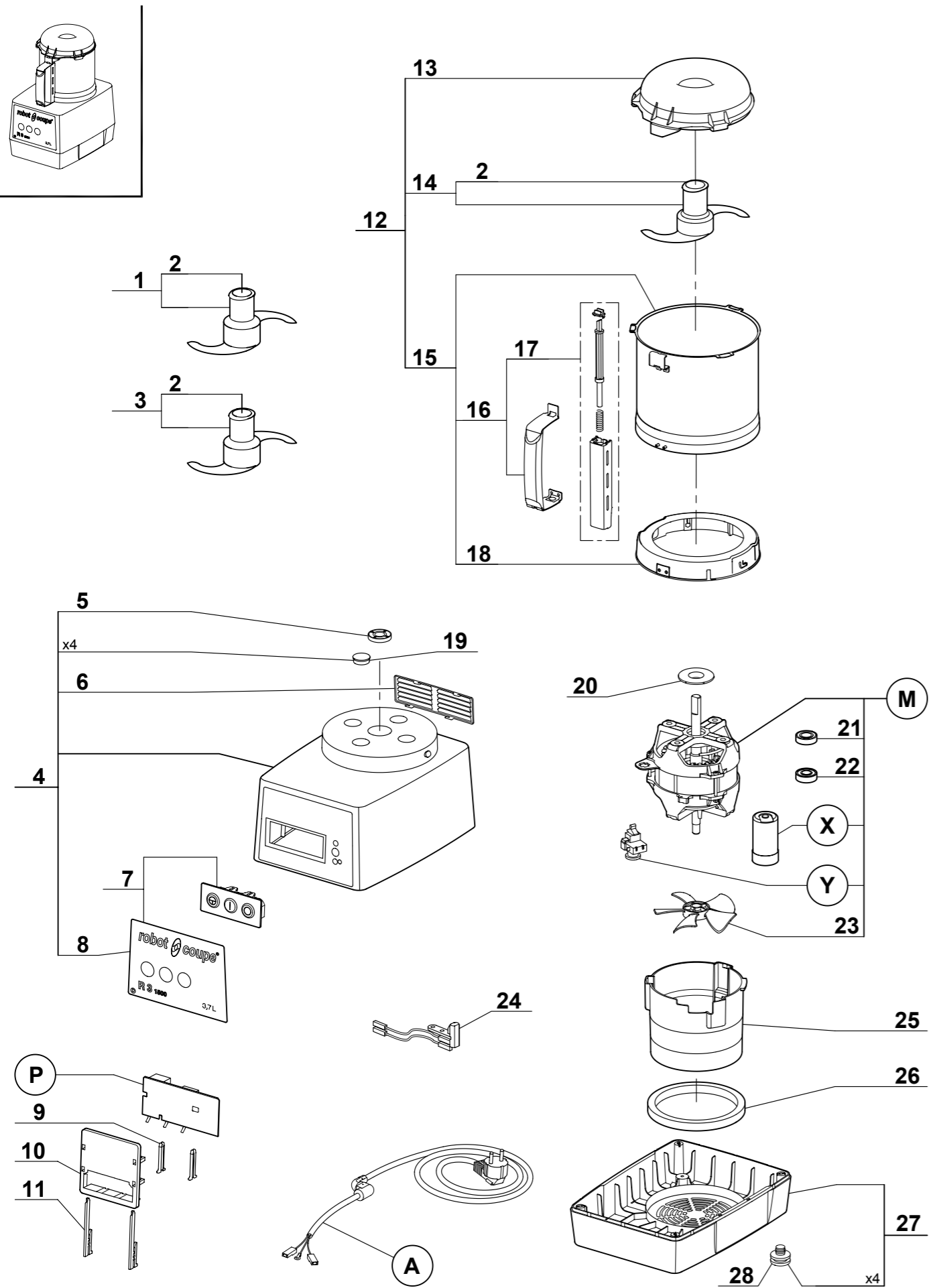


# 04 processing

BCR0003

BCR0003



STOCK CODE	DESCRIPTION	MAN.PART NUMBER	DRAWING REF
XFPR0055	ROBOT-COUPE R301 D FINE SERRATED BLADE	27287	1
XFPR0058	ROBOT-COUPE R301 D SERRATED BLADE	27288	3
XBCR0034	BOWL CUTTER R 3D - SHAFT SEAL	501 010	5
XFPR0039	FOOD PROCESSOR R301 - VENTILATION GRID	104122	6
XBCR0075	BOWL CUTTER (R 4 V.V.)PANEL KEY	102913	9
XBCR0076	BOWL CUTTER (R 4 V.V.)PCB SUPPORT	102911	10
XBCR0077	BOWL CUTTER(R 4 V.V.) PCB LOCKING KEY	117703	11
XFPR0037	FOOD PROCESSOR R301 - CUTTER LID	117395	13
XBCR0060	BOWL CUTTER R 3 - CUTTING BLADE	27286	14
XFPR0062	FOOD PROCESSOR(R201/301/401)MIXING CUTTER BOWL ASSEMBLY	39759	15
XBCR0032	BOWL CUTTER R 3D - BOWL HANDLE ASSEMBLY	39 752	16
XBCR0033	BOWL CUTTER R 3D - LOCKING WASHER ASSEMBLY	39 797	18
XBCR0035	BOWL CUTTER R 3D - BOLT COVER	104 121	19
XFPR0042	FOOD PROCESSOR R301 - MOTOR CENTRING	104078	20
XBCR0027	BOWL CUTTER R2A - UPPER BALL-BEARING 6002 2RS	504 229	21
XBCR0028	BOWL CUTTER R2A - LOWER BALL-BEARING 6201 2RS	600 457	22
XVPR0086	ROBO COUPE- CL30 MOTOR FAN	117610	23
XBCR0036	BOWL CUTTER R 3D - CUTTER SAFETY SWITCH	29 451	24
XBCR0039	BOWL CUTTER R 3D - FOOT	101 082	28
XFPR0049	FOOD PROCESSOR R301 - MOTOR	3074	M
XFPR0050	FOOD PROCESSOR R301 - CONTROL BOARD	103693	P
XBCR0030	BOWL CUTTER R2A - STARTING CAPACITOR	600 018	X
XBCR0031	BOWL CUTTER R2A - MOTOR STARTING RELAY	500 289	Y