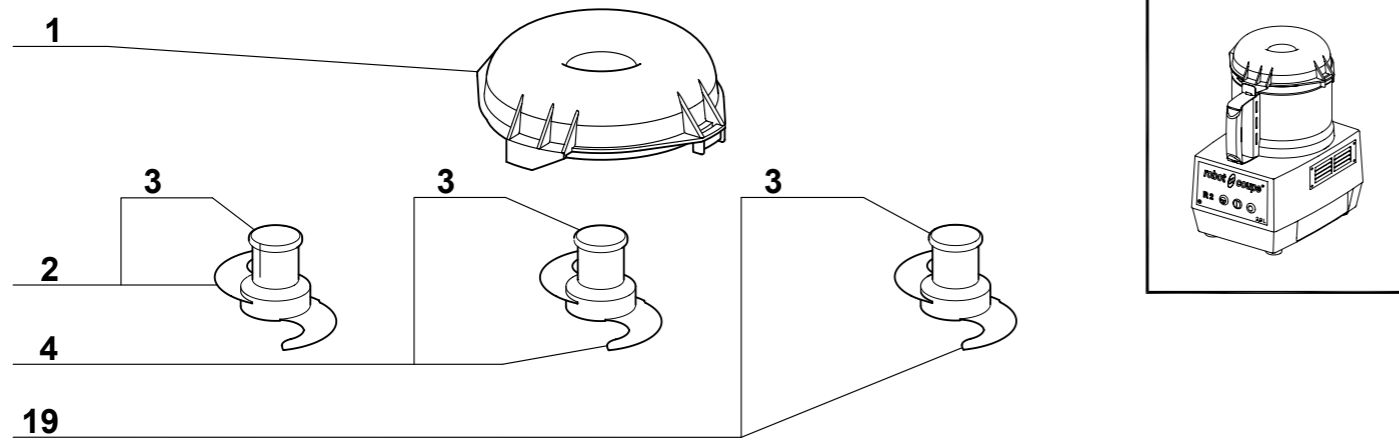
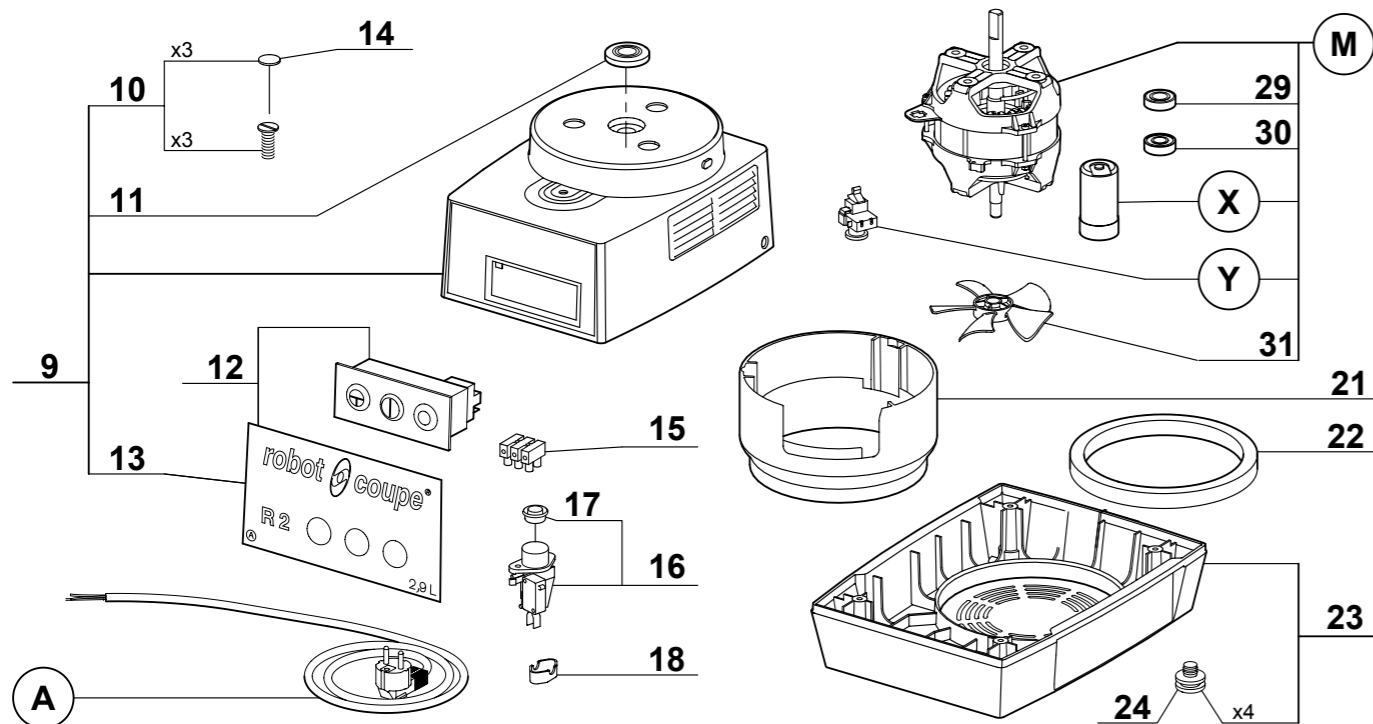
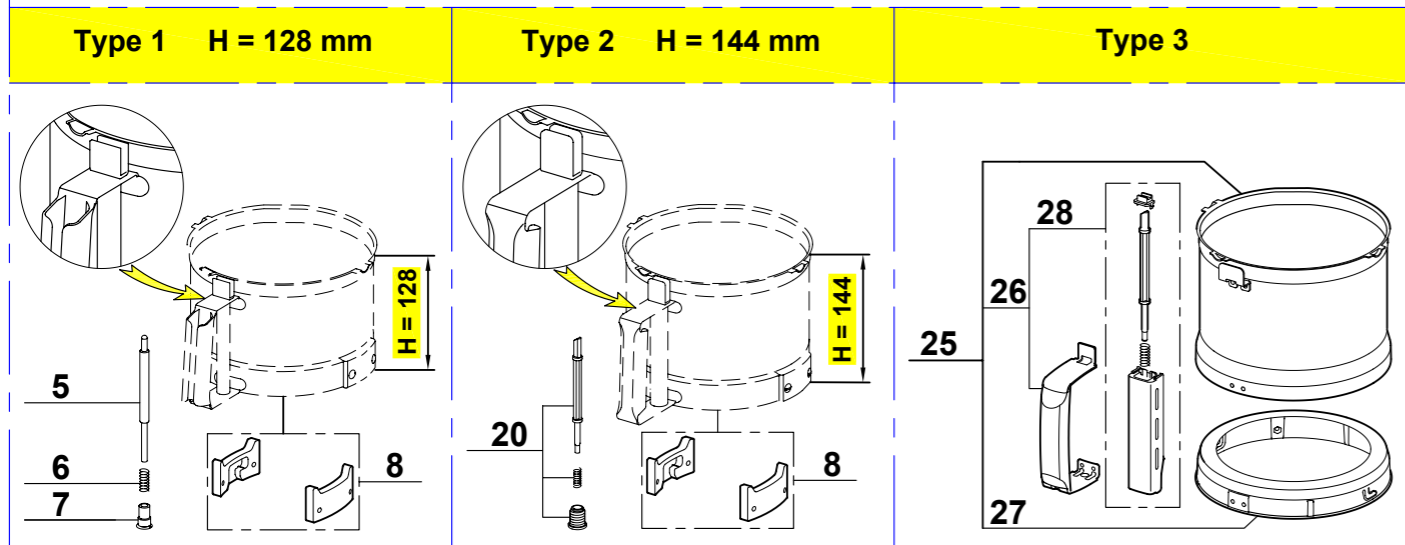


04 processing

BCR0002



WARNING : Choose the spare parts in accordance with the bowl type.
As the complete bowl is fully interchangeable, for all types choose item 25.



BCR0002

STOCK CODE	DESCRIPTION	MAN.PART NUMBER	DRAWING REF
XBCR0090	BOWL CUTTER R2A - LID	106458	1
XFPR0003	FINE SERRATED BLADE	27061	2
XBCR0019	BOWL CUTTER R2A - BLADE CAP	117 058	3
XFPR0060	ROBOT-COUPÉ R2A/B STRAIGHT BLADE	27055	4
XBCR0020	BOWL CUTTER R2A - LOCKING PLATES ASSEMBLY	29 184	8
XBCR0021	BOWL CUTTER R2A - MOTOR SUPPORT ASSEMBLY	29190	9
XBCR0022	BOWL CUTTER R2A - SHAFT SEAL	501 010	11
XFPR0027	FOOD PROCESSOR R201 - BOLT COVER	101 208	14
XBCR0023	BOWL CUTTER R2A - MICRO SWITCH ASSEMBLY	39 860	16
XFPR0081	ROBO COUPE(R201ULTRA)SEAL RING	500527	17
XFPR0054	ROBOT COUPE R2A & R201 - COURSE SERRATED BLADE	27138	19
XBCR0024	BOWL CUTTER R2A - FOOT	101 082	24
XBCR0091	BOWL CUTTER R2A - COMPLETE BOWL ASSY	39795	25
XBCR0025	BOWL CUTTER R2A - BOWL HANDLE ASSEMBLY	39 763	26
XBCR0026	BOWL CUTTER R2A - LOCKING WASHER ASSEMBLY	39 753	27
XBCR0027	BOWL CUTTER R2A - UPPER BALL-BEARING 6002 2RS	504 229	29
XBCR0028	BOWL CUTTER R2A - LOWER BALL-BEARING 6201 2RS	600 457	30
XVPR0086	ROBO COUPE- CL30 MOTOR FAN	117610	31
XBCR0029	BOWL CUTTER R2A - MOTOR	3 202	M
XBCR0030	BOWL CUTTER R2A - STARTING CAPACITOR	600 018	X
XBCR0031	BOWL CUTTER R2A - MOTOR STARTING RELAY	500 289	Y