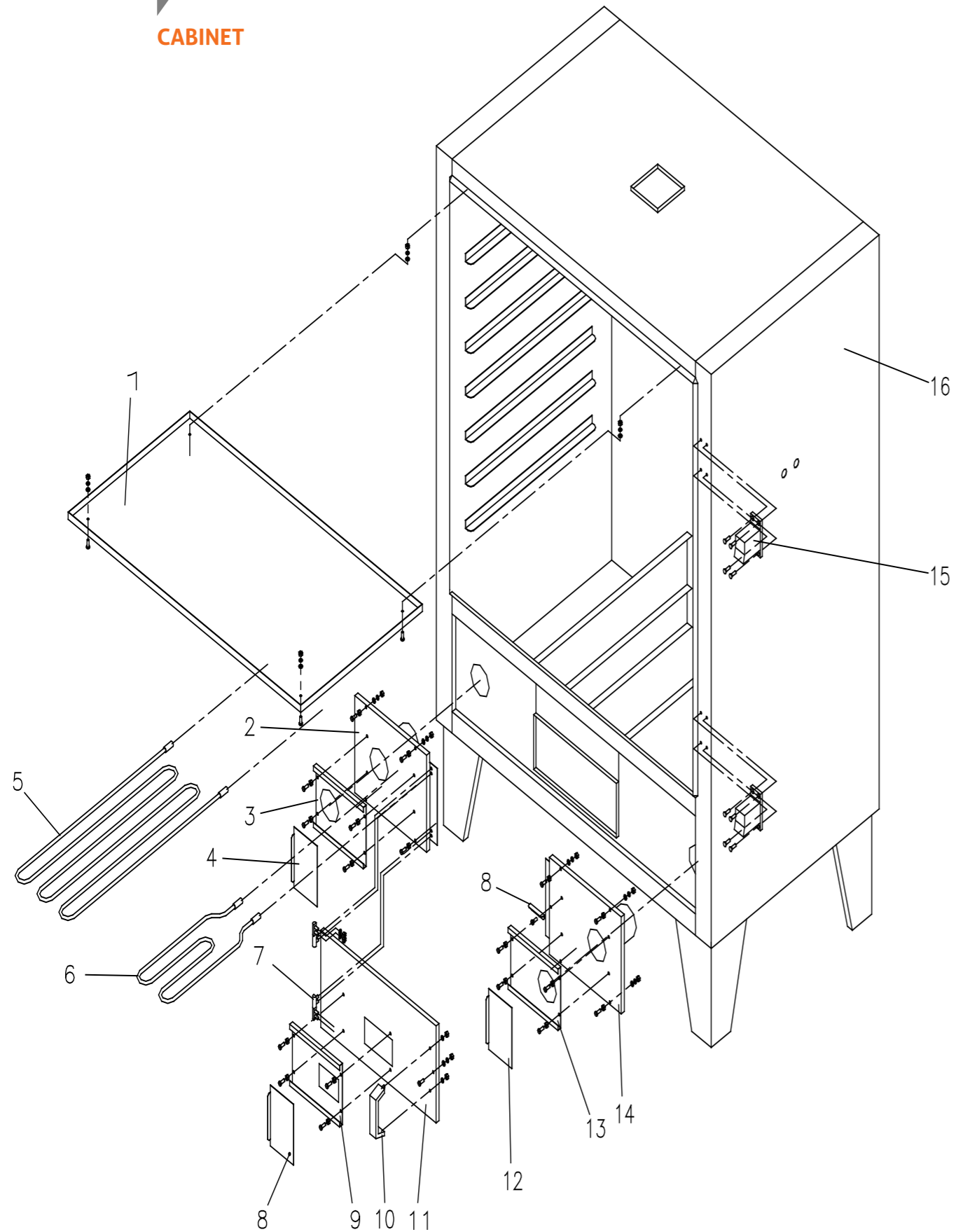


SCB0600

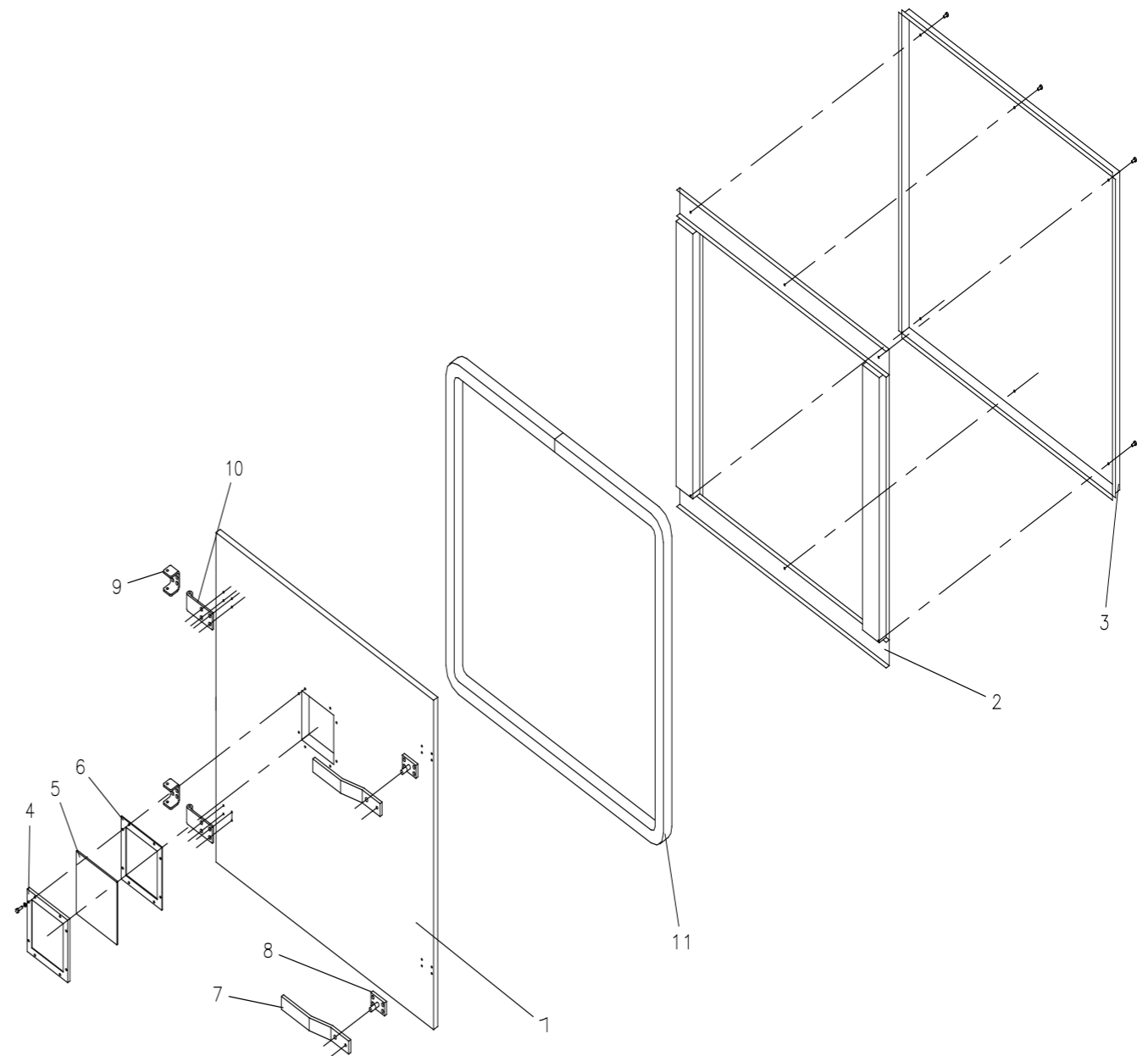
CABINET



STOCK CODE	DESCRIPTION	MAN.PART NUMBER	DRAWING REF
XSCB0006	SMOKER B\QUIP [600] - DRYING ELEMENT	5-2500W-SMOKER	5
XSCB0005	SMOKER B\QUIP [600] - SMOKING ELEMENT	5-750W-SMOKER	6
XCGA4004	CHICKEN GRILLER ELECTRIC (16) -PLST HANDLE (OLD)	3-PH-WAP	10

SCB0600

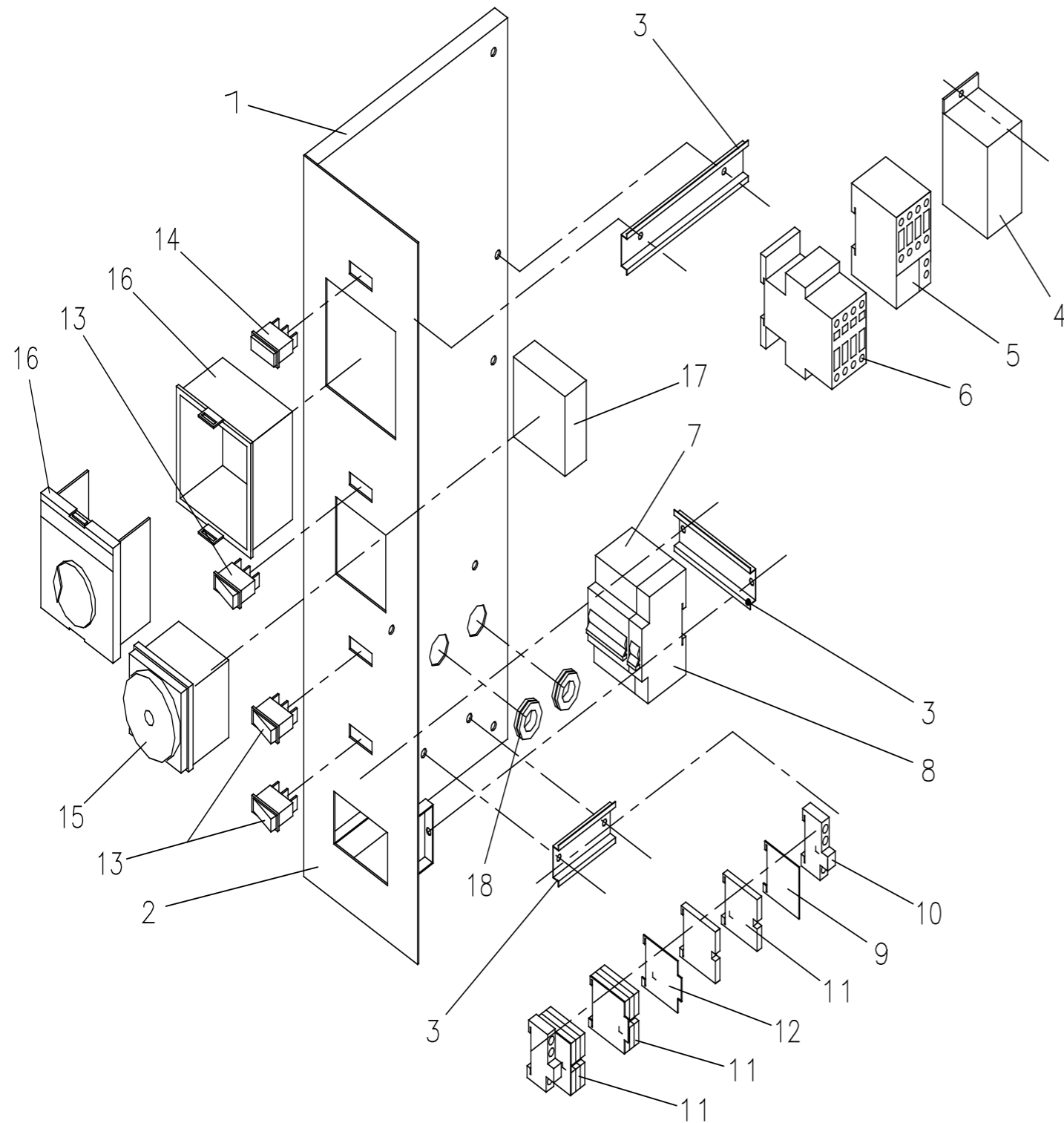
DOOR



STOCK CODE	DESCRIPTION	MAN.PART NUMBER	DRAWING REF
XBCE0016	COOKER B\QUIP [JNR]-DOOR HANDLE HINGE PLATE	8-DHHP-COOK	8
XSCB0007	SMOKER B\QUIP [600] - DOOR SEAL (5M)	3-DG-COOKER	11

SCB0600

CONTROL PANEL



SCB0600

STOCK CODE	DESCRIPTION	MAN.PART NUMBER	DRAWING REF
XCOA7011	CONVECTION OVEN ANVIL-CONTACTOR	1-220V-CONT-32A	5
XCOA8009	CONVEC OVEN ANVIL-CONTACTOR	1-220V-CONT-40A	6
XSCB0001	SMOKER BUTCHERQUIP [600]-TEMP CONTROLLER	1-TCD-100-PT100	16
XSCB0003	SMOKER BUTCHERQUIP [600] - PILOT LIGHT	1-18TRF	14
XSCB0004	SMOKER BUTCHERQUIP [600] - MAIN SWITCH	1-17TAF	13
XSCB0010	SMOKER BUTCHERQUIP [600] - TIMER	1-H3BA-8 PIN	15

