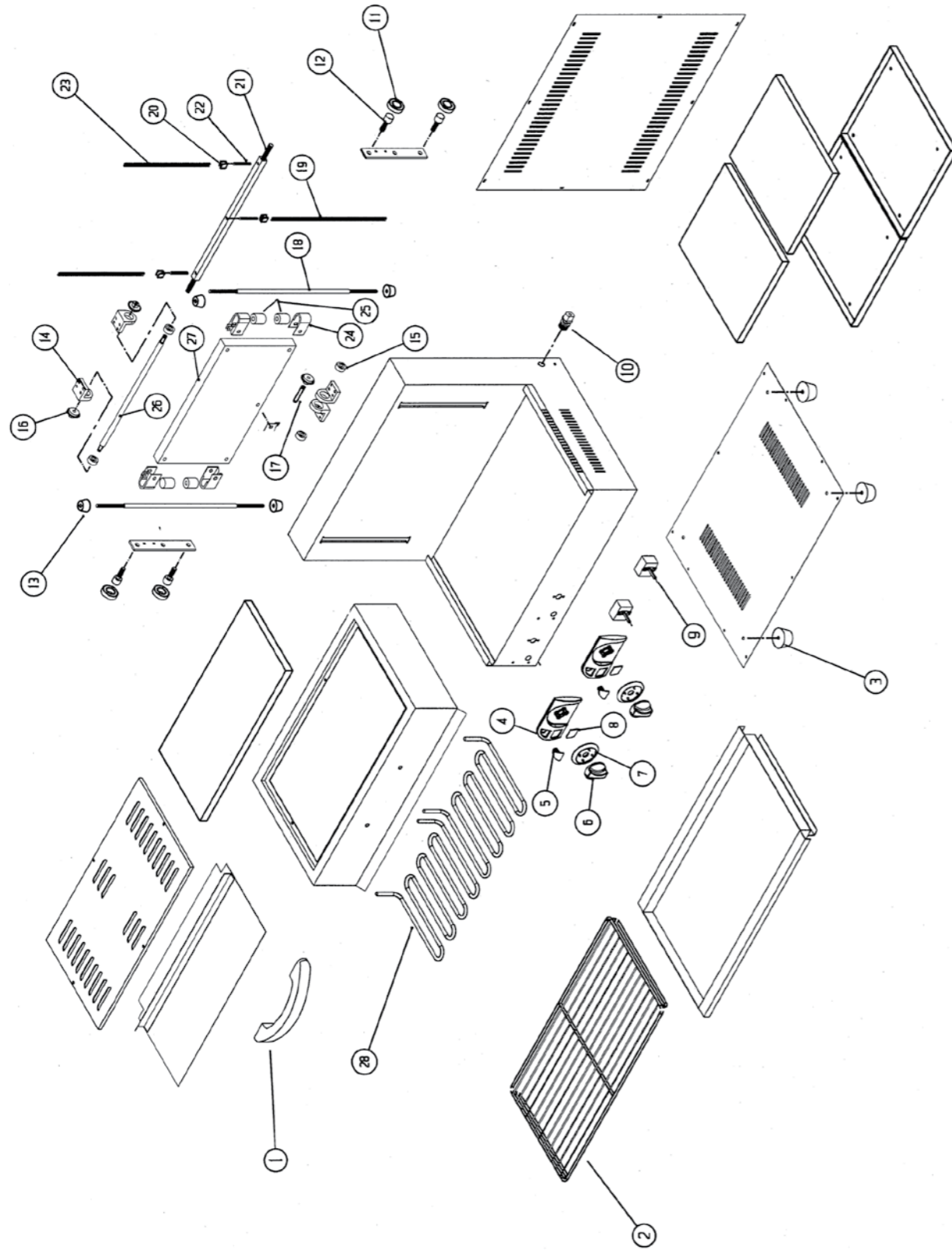


SAK0600

SAK0600



STOCK CODE	DESCRIPTION	MAN.PART NUMBER	DRAWING REF
XSAK0024	SPARE SHELF - SALAMANDER 0600	10-SHE-SAK0600	2
XPWK1045	PIE WARMER (PWK0002/4/5) - RUBBER FOOT	3-RUBBER-FOOT	3
XKNB0010	CONTROL PANEL FASICA AXIS	3-CPF-AXIS	4
XKNB0035	PILOT LIGHT RED 230V	1-PL-BMA0001	5
XKNB0001	CONTROL KNOB [AXIS] - RED	3-CK-AXIS	6
XKNB0027	CONTROL PANEL BEZEL AXIS ENERGY REGULATOR SCALE 0-6	3-CPB-BMA0001	7
XKNB0039	CONTROL PANEL INSERT THERMOSTAT/ENERGY REGULATOR	4-CPI-TEMP	8
XBMA0001	BAIN MARIE/URN ANVIL - ENERGY REGULATOR NEW NEW	1-ER-URS0012	9
XPWK1042	PIE WARMER (PWK0002/4/5/1002) - CABLE GLAND	3-CABLE-GLAND	10
XSAK0006	SALAMANDER ANVIL 450MM - SLIDER BEARING	7-BEAR-SAK450-S	11
XSAK0007	SALAMANDER ANVIL 450MM - BEARING PIN	6-BP-SAK0450	12
XSAK0008	SALAMANDER ANVIL 450MM - RUBBER STOPPER	3-RUBBER-STOPPER	13
XSAK0009	SALAMANDER ANVIL 450MM - BEARING HOUSING	6-BH-SAK0450	14
XSAK0010	SALAMANDER ANVIL 450MM - COUNTER WEIGHT	7-BEAR-SAK450-W	15
XSAK0011	SALAMANDER ANVIL 450MM- BEARING SPROCKET	6-BS-SAK0450	16
XSAK0012	SALAMANDER ANVIL 450MM-SPROCKET AXEL	6-SA-SAK0450	17
XSAK0013	SALAMANDER ANVIL 450MM-VERTICAL GUIDES	6-VG-SAK0450	18
XSAK0014	SALAMANDER ANVIL 450MM-LONG CHAIN	7-CHAIN-SAK0450	19
XSAK0015	SALAMANDER ANVIL 450MM-CHAIN LINK	7-CL-SAK0450	20
XSAK0004	SALAMANDER ANVIL 600MM - SHORT CHAIN AXLE	7-AXLE-SAK0600	21
XSAK0017	SALAMANDER ANVIL 450MM-CHAIN LINK STUD	6-CLS-SAK0450	22
XSAK0018	SALAMANDER ANVIL 450MM-SHORT CHAIN	7-CHAIN-SAK450A	23
XSAK0019	SALAMANDER ANVIL 450MM-NYLON BUSH	3-BUSH-SAK0450	25
XSAK0002	SALAMANDER ANVIL 600MM - HEATING ELEMENT	5-2000W-SAK0600	28

