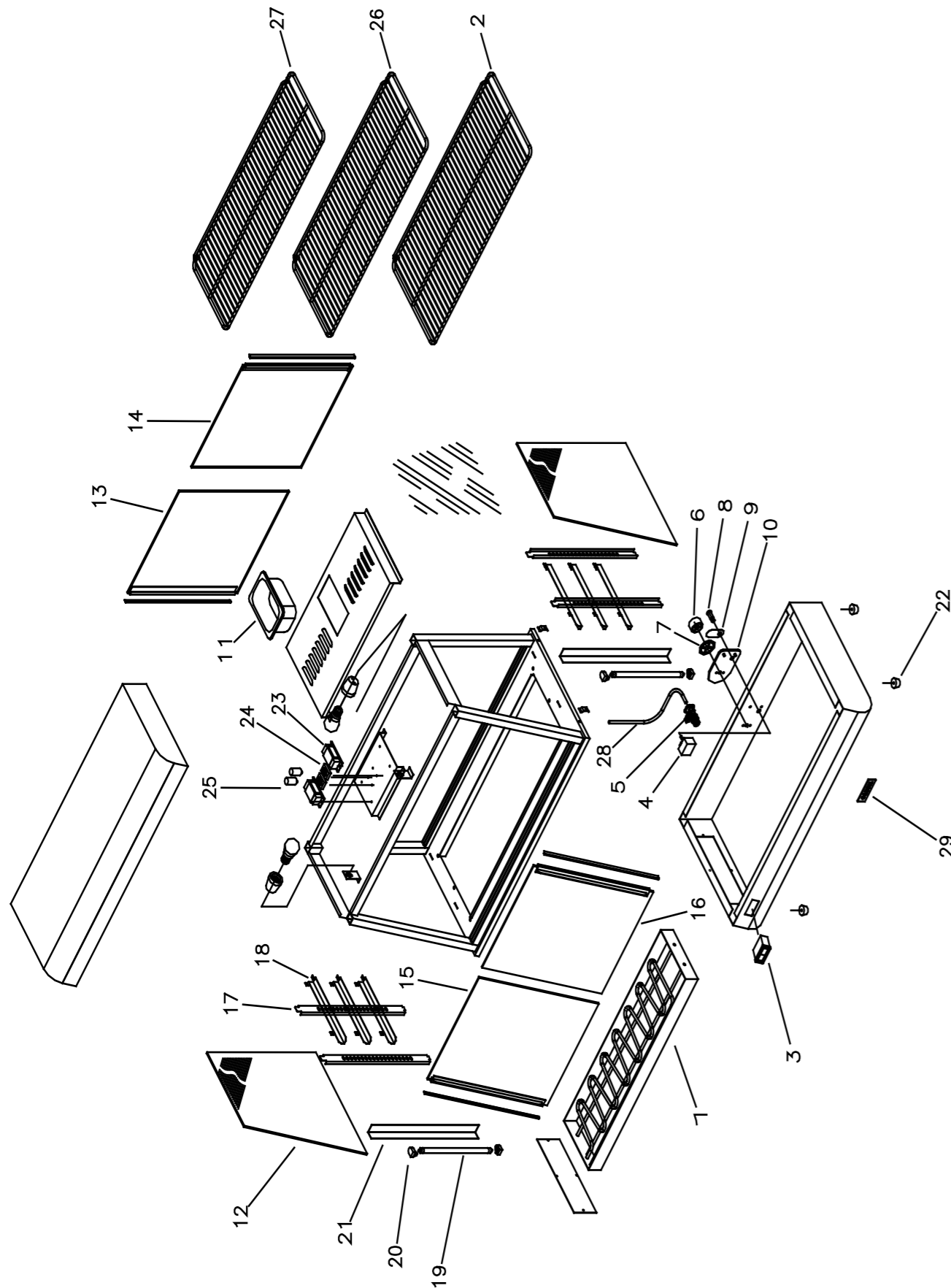


PWK0006

PWK0006



| STOCK CODE | DESCRIPTION   | MAN.PART NUMBER        | DRAWING REF |
|------------|---|------------------------|-------------|
| XPWK0008   | PIE WARMER ANVIL 1840W ELEMENT - PWK0003/PWK0006        | <b>5-1840W-PWK0003</b> | 1           |
| XPWK0004   | PIE WARMER ANVIL 1840W ELEMENT - PWK0002/PWK0006(short) | <b>5-1840W-PWK0002</b> | 1           |
| XPWK0006   | PIE WARMER ANVIL(900mm) - LARGE SHELF                   | 10-SHE-PWK003-1        | 2           |
| XPWK1009   | PIE WARMER - INDICATING THERMOMETER PWK0005             | 1-THER-PWK0002         | 3           |
| XPWK1005   | PLATE WARMER ANVIL- THERMO 30 - 110                     | 1-EGO-50               | 4           |
| XPWK1042   | PIE WARMER (PWK0002/4/5/1002) - CABLE GLAND             | 3-CABLE-GLAND          | 5           |
| XPWK1043   | PIE WARMER (PWK0002/4/5) - GENERIC CONTROL KNOB BLACK   | 3-KNOB-GEN-1           | 6           |
| XPWK1044   | PIE WARMER - TEMP SCALE                                 | 3-SCALE-PWK0001        | 7           |
| XFFA0002   | ANVIL FRYER - PILOT LIGHT                               | 1-PL-GP                | 8           |
| XPWK0012   | PIE WARMER SIDE GLASS - PWK0002/PWK0003/PWK0006         | 10-GLA-PWK002-S        | 12          |
| XPWK1015   | PIE WARMER-PWK0006-REAR LEFT & RIGHT SLIDING DOOR       | 10-GLA-PWK002-D        | 13          |
| XPWK1017   | PIE WARMER-PWK0003-LEFT GLASS FRONT                     | <b>10-GLA-PWK06-FL</b> | 15          |
| XPWK0030   | LEFT/RIGHT SHELF SUPPORT - PWK0002 (SET OF 2)           | 10-SR-PWK0002          | 17          |
| XPWK0015   | PIE WARMER ANVIL LAMP(600,900,1200mm)                   | 1-LB-PWK0002           | 19          |
| XPWK0026   | PIE WARMER - BULB HOLDER ONLY                           | 1-LBH-PMK0001          | 20          |
| XPWK1045   | PIE WARMER (PWK0002/4/5) - RUBBER FOOT                  | 3-RUBBER-FOOT          | 22          |
| XPWK1014   | 11W BALLAST FOR PWK0002 & PWK0003                       | 1-BAL-PWK0002          | 23          |
| XPWK1022   | PIE WARMER ANVIL(900mm) -SHELF SMALL                    | 10-SHE-PWK003-3        | 27          |