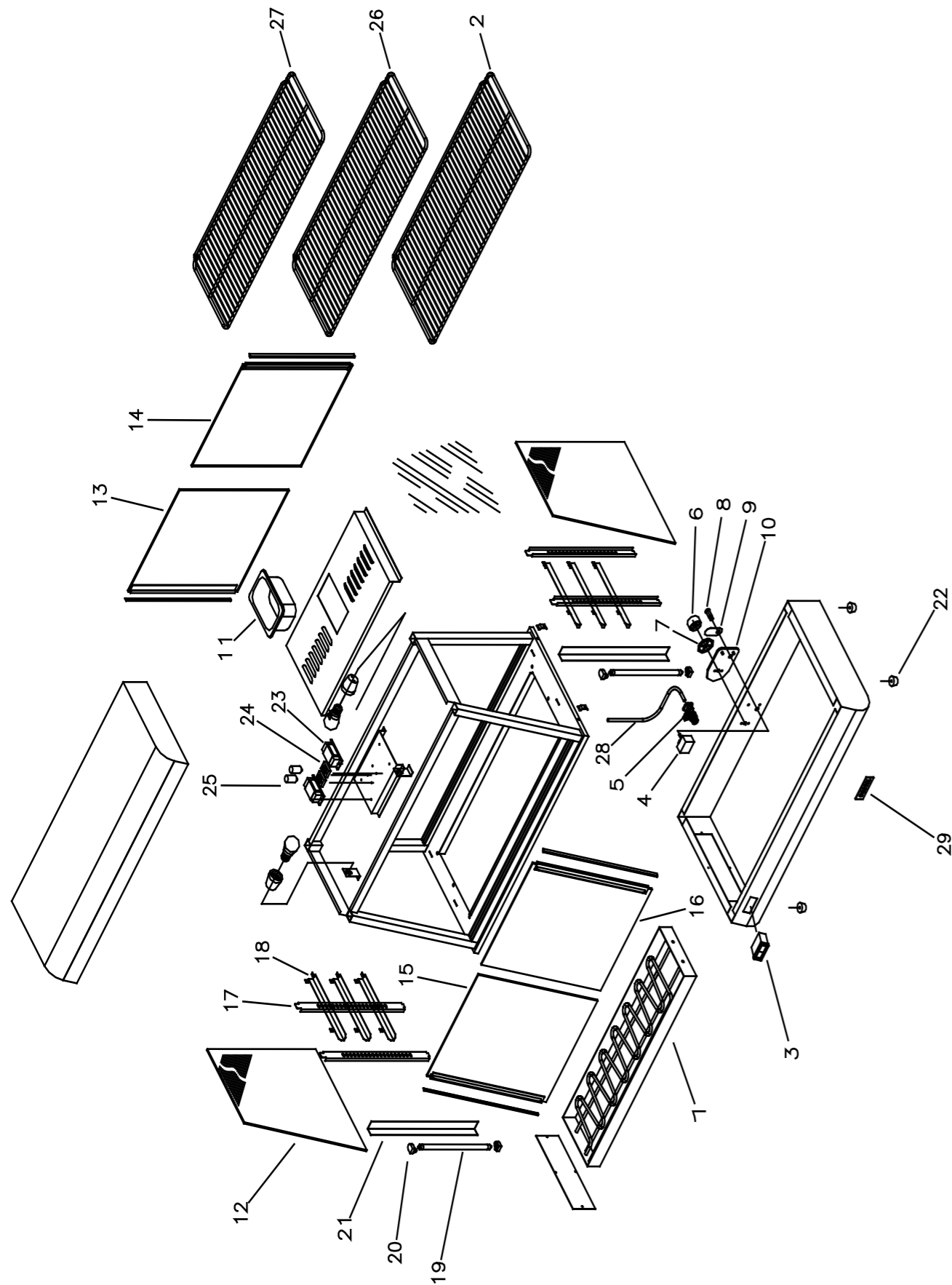


PWK0003

PWK0003



STOCK CODE	DESCRIPTION	MAN.PART NUMBER	DRAWING REF
XPWK0008	PIE WARMER ANVIL 1840W ELEMENT - PWK0003	5-1840W-PWK0003	1
XPWK0006	PIE WARMER ANVIL(900mm) - LARGE SHELF	10-SHE-PWK003-1	2
XPWK1042	PIE WARMER (PWK0002/5) - CABLE GLAND	3-CABLE-GLAND	5
XPWK1043	PIE WARMER (PWK0002/5) - GENERIC CONTROL KNOB BLACK	3-KNOB-GEN	6
XPWK1044	PIE WARMER (PWK0002/5) -FOOD WARMER TEMP. SCALE	3-SCALE-PWK0001	7
XPWK1009	PIE WARMER - INDICATING THERMOMETER PWK0005	1-THER-PWK0002	8
XFFA0002	ANVIL FRYER - PILOT LIGHT	1-PL-GP	3
XFFA1003	ANVIL FRYER - FACIA CONTROL PANEL INSERT	4-ANVIL-CP-IN-1	9
XFFA1001	ANVIL FRYER - FACIA CONTROL PANEL	3-CP-ANVIL	10
XPWK0023	DRIP TRAY - PIE WARMER PWK0002/3/6	7-FTRAY-PWK0002	11
XPWK0012	PIE WARMER SIDE GLASS - PWK0002	10-GLA-PWK002-S	12
XPWK1016	PIE WARMER-PWK0003- GLASS REAR	10-GLA-PKK003-R	14
XPWK1018	PIE WARMER-PWK0003- GLASS FRONT DOOR	10-GLA-PKK003-D	16
XPWK0030	LEFT/RIGHT SHELF SUPPORT - PWK0002 (SET OF 2)	10-SR-PWK0002	17
XPWK0015	PIE WARMER ANVIL LAMP(600,900,1200mm)	1-LB-PWK0002	19
XPWK0026	PIE WARMER - BULB HOLDER ONLY	1-LBH-PMK0001	20
XPWK4021	PIE WARMER - ALL - LIGHT DIFFUSER	7-LBD-PMK0001	21
XPWK1045	PIE WARMER (PWK0002/5) - RUBBER FOOT	3-RUBBER-FOOT	22
XPWK1014	11W BALLAST FOR PWK0002 & PWK0003	1-BAL-PWK0002	23
XIEA0003	INSECT EXTERMINATOR-STARTER(220V)	1-ST-IEA0660	25
XPWK1023	PIE WARMER ANVIL(900mm) - MEDIUM SHELF	10-SHE-PWK003-2	26
XPWK1022	PIE WARMER ANVIL(900mm) -SHELF SMALL	10-SHE-PWK003-3	27
XPWK1005	PLATE WARMER ANVIL THERMO 30-110	1-E60-50	4