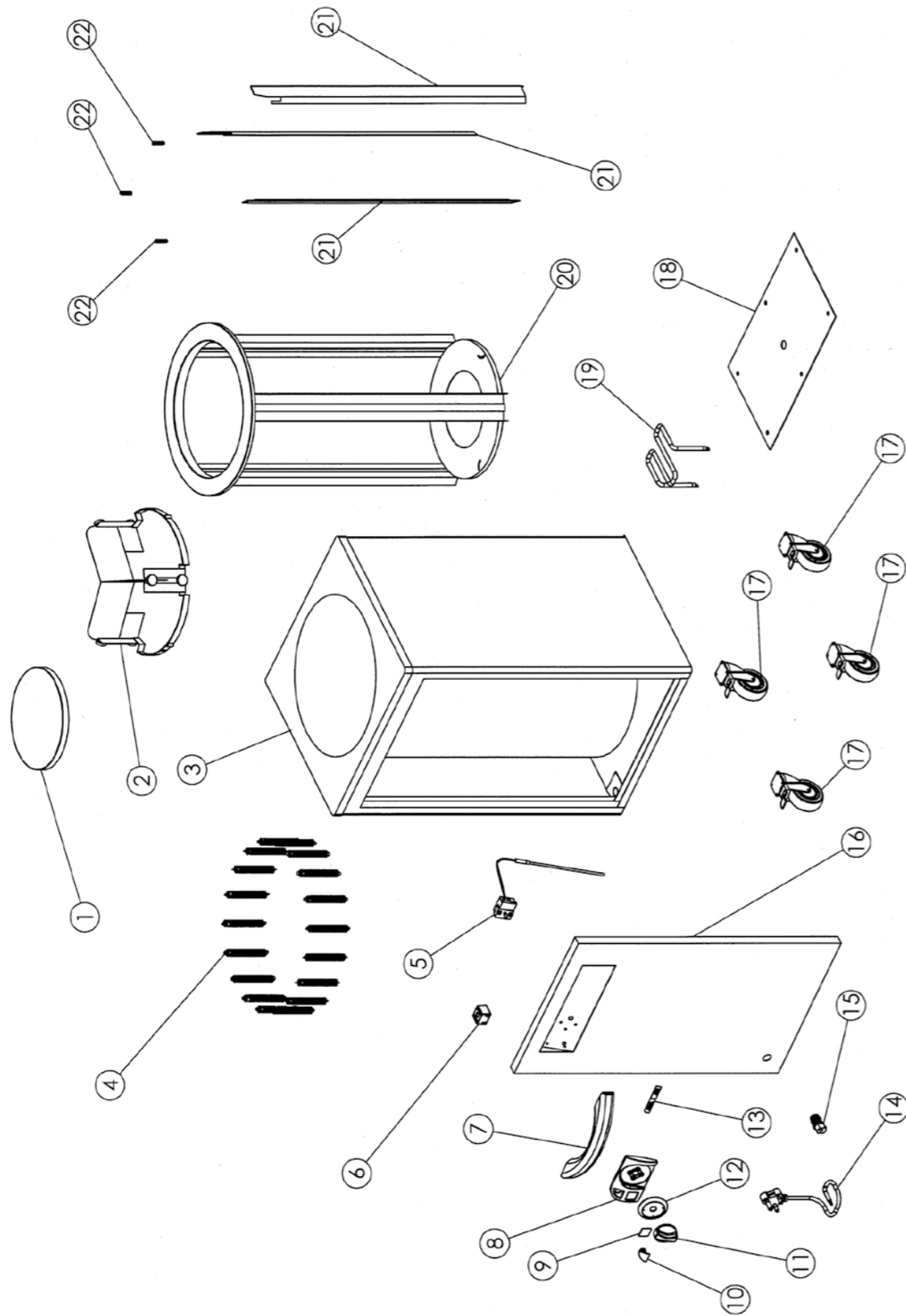


PLK0001



PLK0001

STOCK CODE	DESCRIPTION	MAN.PART NUMBER	DRAWING REF
XPWK1028	CARRIAGE SPRING - PLK0001	7-SPRING-PLK0001	4
XPWK1005	PLATE WARMER ANVIL- THERMO 30 - 110	1-EGO-50	5
XFFA0006	ANVIL FRYER - CONNECTING BLOCK	3-FF-CB	6
XFFA1001	ANVIL FRYER - FACIA CONTROL PANEL	3-CP-ANVIL	8
XFFA1003	ANVIL FRYER - FACIA CONTROL PANEL INSERT	4-ANVIL-CP-IN-1	9
XFFA0002	ANVIL FRYER - PILOT LIGHT	1-PL-GP	10
XPWK1043	PIE WARMER (PWK0002/4/5) - GENERIC CONTROL KNOB BLACK	3-KNOB-GEN	11
XPWK1044	PIE WARMER (PWK0002/4/5) -FOOD WARMER TEMP. SCALE	3-SCALE-PWK0001	12
XPWK1042	PIE WARMER (PWK0002/4/5/1002) - CABLE GLAND	3-CABLE-GLAND	15
XPWK1004	PLATE WARMER ANVIL- HEATING ELEMENT - ROUND	5-400W-PLK0001	19

