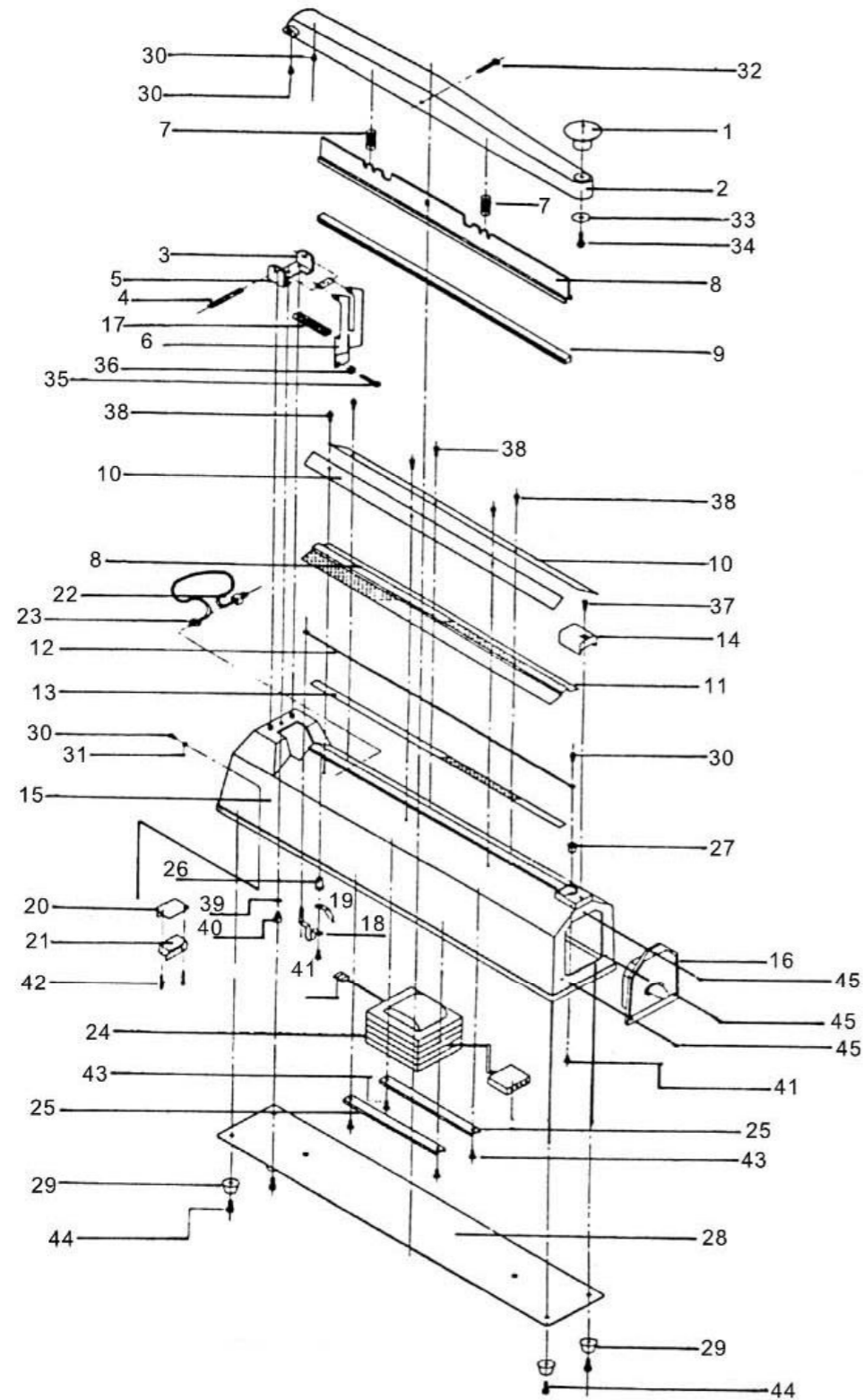


HSM0200 / HSM0300 / HSM0400 / HSM0500



HSM0200 / HSM0300 / HSM0400 / HSM0500

STOCK CODE	DESCRIPTION	MAN.PART NUMBER	DRAWING REF
HSM0200			
XHSM2001	HAND SEALING MACHINE(200MM)-HEATING WIRE		12
XHSM2002	HAND SEALING MACHINE(200MM)-TEFLON STRIP		8 / 13
XHSM2003	HAND SEALING MACHINE(200MM)-SILICON	W-00106A	9
XHSM2007	HAND SEALING MACHINE(200MM)-SPRING (L)	W-00404A	17
XHSM2008	HAND SEALING MACHINE(200MM)-TRANSFORMER	E-00607A/B	24
XHSM2009	HAND SEALING MACHINE(200MM)-TIMER SET - OLD	E-00504A/B	16
HSM0300			
XHSM3003	HAND SEALING MACHINE(300MM)-SILICON	W-00106B	9
XHSM3005	HAND SEALING MACHINE (ALL) - MICROSWITCH	E-00702	21
XHSM3006	HAND SEALING MACHINE(300MM)-SPRING (S)	W-00302B	7
XHSM3007	HAND SEALING MACHINE(300MM)-SPRING (L)	W-00404B	17
XHSM3008	HAND SEALING MACHINE(300MM)-TRANSFORMER	E-00607C/D	24
HSM0400			
XHSM4003	HAND SEALING MACHINE(400MM)-SILICON	W-00106C	9
XHSM4004	HAND SEALING MACHINE (ALL) - SPRING HOOK	W-00801	18
XHSM4007	HAND SEALING MACHINE(400MM)-SPRING (L)	W-00404C	17
XHSM4008	HAND SEALING MACHINE(400MM)-TRANSFORMER	E-00607E/F	24
XHSM4010	HAND SEAL MACHINE(400MM)-TIMER PC BOARD	E-00504A/B	
HSM0500			
XHSM5003	HAND SEALING MACHINE(500MM)-TIMER SETS - NEW		16