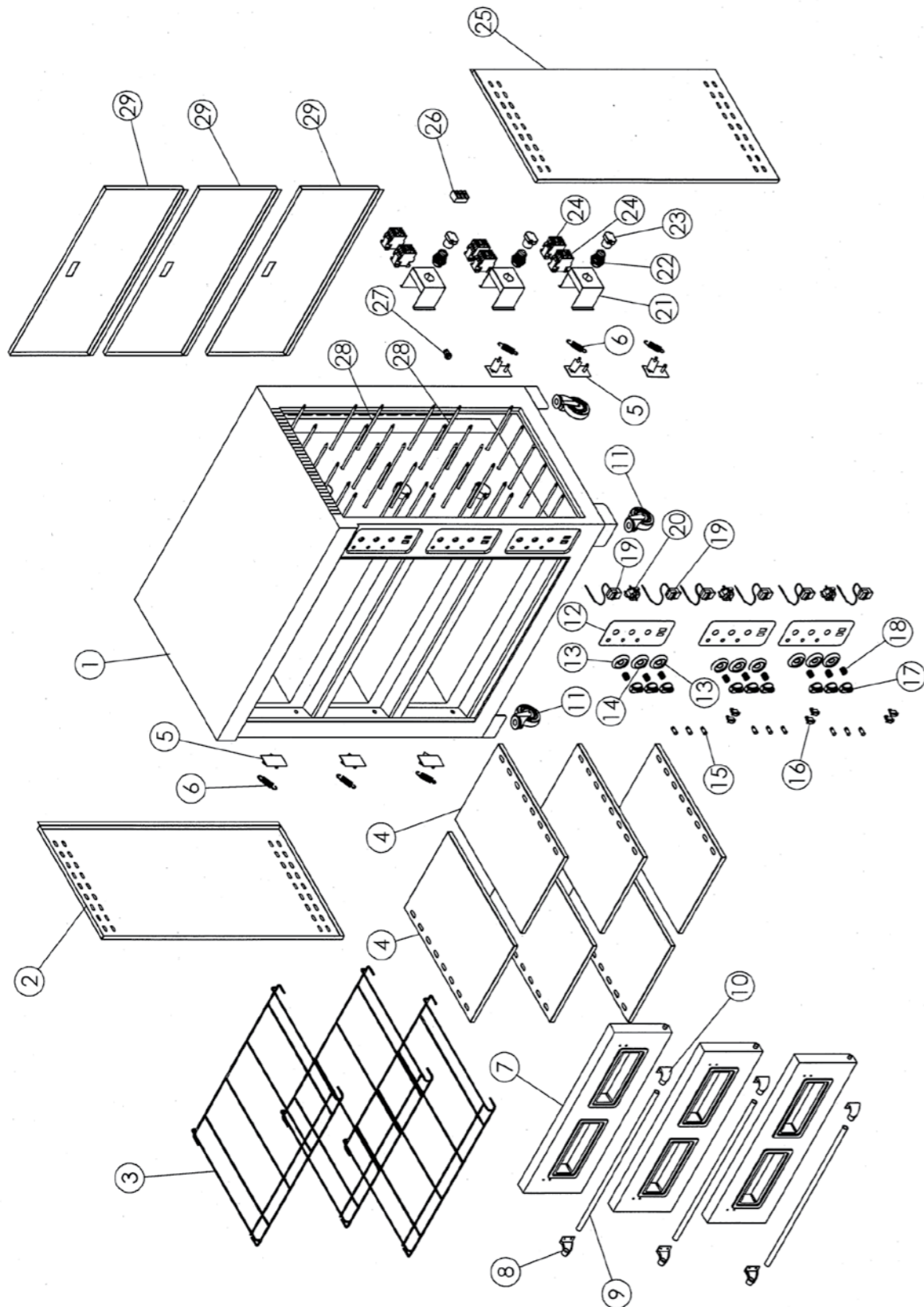


DOA0003

DOA0003



STOCK CODE	DESCRIPTION	MAN.PART NUMBER	DRAWING REF
XDOA0016	DECK OVEN DOOR SPRING - SHORT	7-SPRING-DOA1A	6
XKNB0024	CONTROL PANEL BEZEL APEX 120 MINUTE SCALE 0-120MIN	3-CPBA-120MIN	13
XKNB0025	CONTROL PANEL BEZEL APEX THERMOSTAT SCALE 50-300	3-CPBA-COA1005	14
XDOA0003	DECK OVEN PILOT LIGHT	1-PL-GP	15
XWMW1002	WRAPMASTER MAINS ROCKER SWITCH (2-PIN)	1-RS-NI	16
XKNB0002	CONTROL KNOB APEX(SILVER)	3-CK-APEX	17
XKNB0018	APEX CONTROL KNOB SPRING	7-KS-APEX	18
XDOA0004	DECK OVEN THERMOSTAT	1-EGO-150	19
XCOA6005	CONVECTION OVEN ANVIL-TIMER (120 MIN)	1-2HR-TIMER	20
XDOA0008	DECK OVEN 32 AMP 240V CONTACTOR	1-220V-CONT-32A	24
XPOK1034	PIZZA OVEN DIGITAL - CERAMIC CONNECTOR BLOCK	3-CB-POA2001	26
XCOA8089	CONV OVEN GAS 4 & 6 BURNER - HANDLE TERMINALS NEW	3-DH-COA1001	8 / 10

