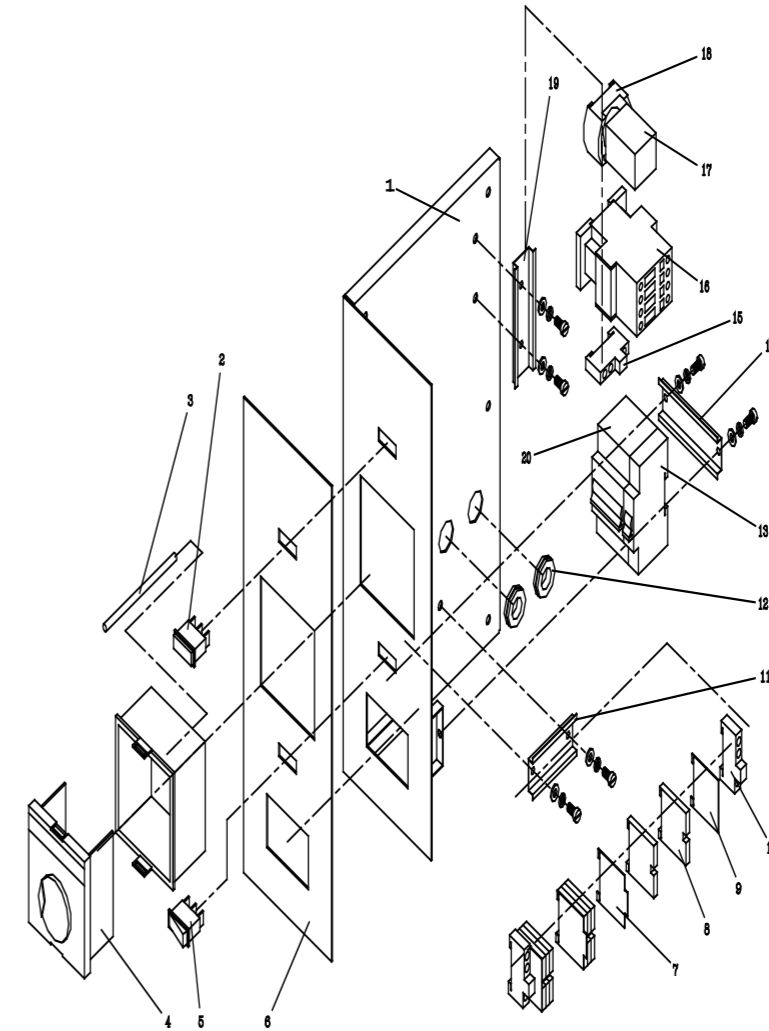


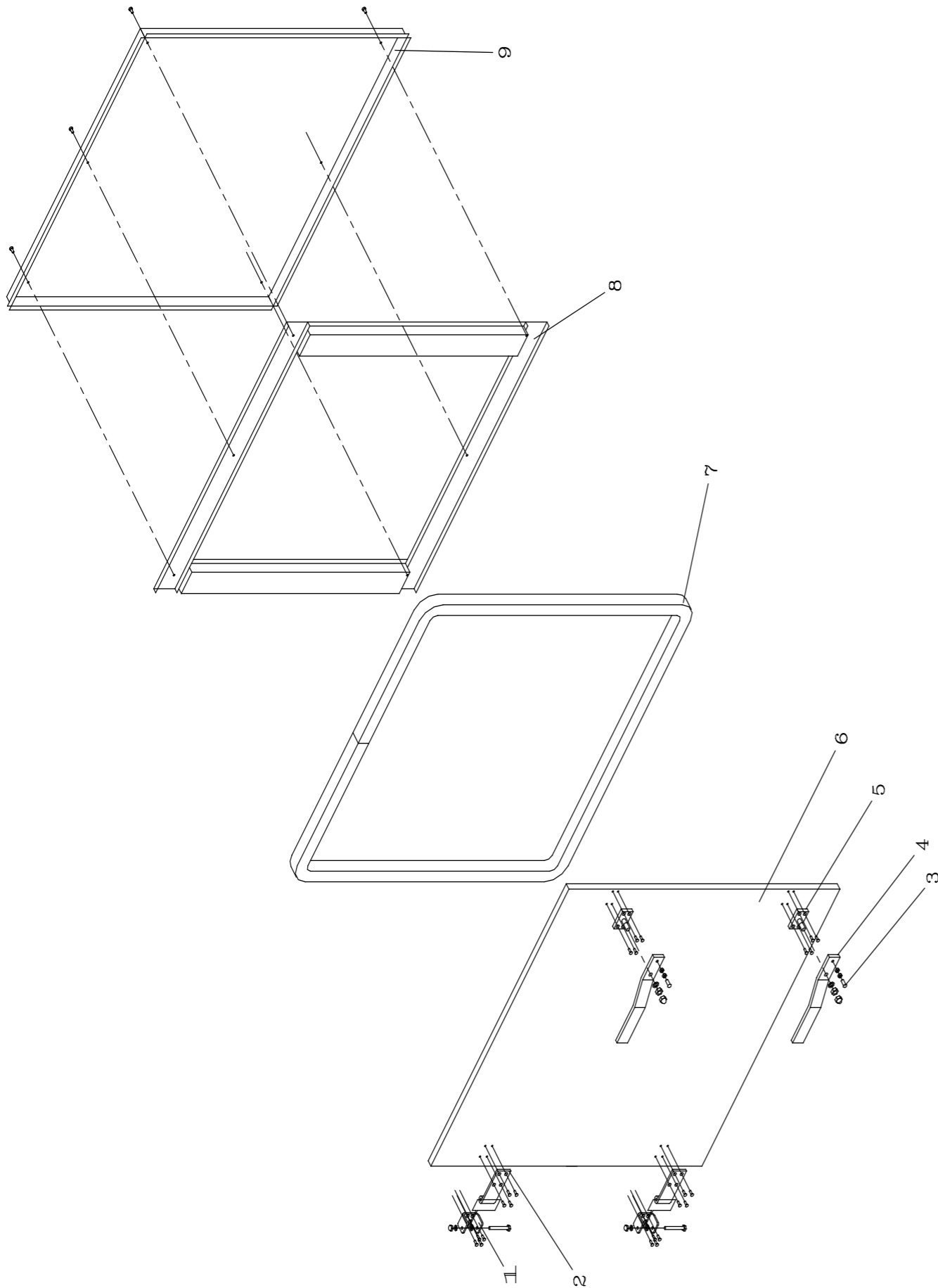
STOCK CODE	DESCRIPTION	MAN.PART NUMBER	DRAWING REF
XBCE0004	COOKER B\QUIP [600] - GRILL ELEMENT	5-1500W-RS-BB	3
XBCE0006	COOKER B\QUIP [600] - LEVEL CONTROL	1-COOKER-LS	4
XBCE0005	COOKER B\QUIP [600] - STEAM ELEMENT	5-3000W-COOKER	5



STOCK CODE	DESCRIPTION	MAN.PART NUMBER	DRAWING REF
XWMW0002	WRAPMASTER MAINS ROCKER SWITCH (3-PIN)	1-17TAF	5
XBCE0003	COOKER B\QUIP [600] - TEMP CONT COOKING	1-TCA-200-PT100	4
XBCE0013	COOKER B\QUIP [600] - PT100 PROBE	1-PT100	3
XCOA8009	CONVEC OVEN ANVIL-CONTACTOR	1-220V-CONT-40A	16
XBCE0014	COOKER B\QUIP [600] - RELAY	1-8PIN-RELAY	17
XDMA0045	DOUGH MIXER ANKOR(ALL)-RELAY BASE	1-8PIN-RELAYBAS	18
XCCB0021	COOKER B/QUIP - 3 PHASE CIRCUIT BREAKER	1-25A-TPCB	20
XSCB0003	SMOKER BUTCHERQUIP [600] - PILOT LIGHT	1-18TRF	2

03 heating

CCB0600



CCB0600

STOCK CODE	DESCRIPTION	MAN.PART NUMBER	DRAWING REF
XBCE0016	COOKER B\QUIP[JNR]-DOOR HANDLE HINGE PLATE	8-DHHP-COOK	5
XSCB0007	SMOKER B\QUIP [600] - DOOR SEAL (5M)	3-DG-COOKER	7

