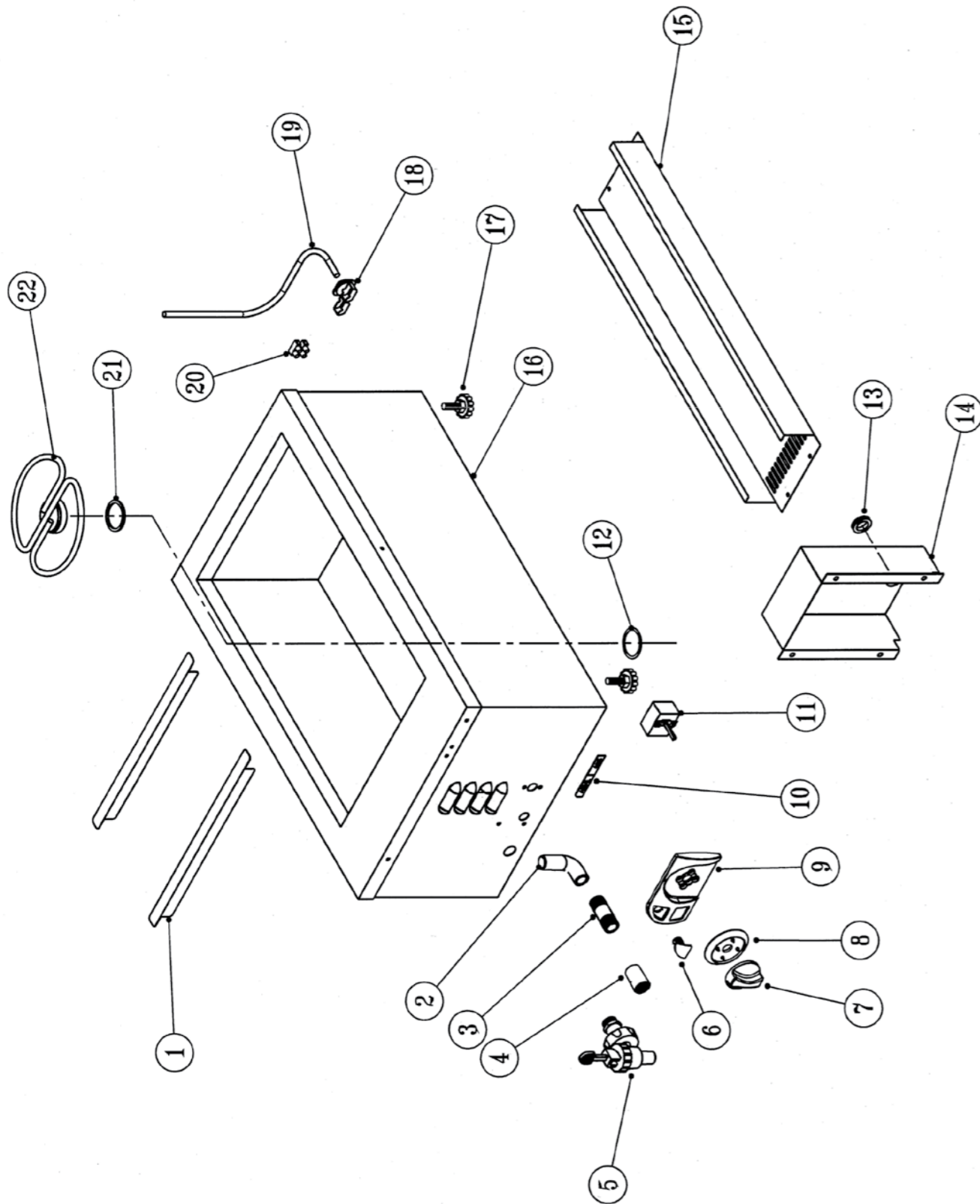


BMA0001

BMA0001



STOCK CODE	DESCRIPTION	MAN.PART NUMBER	DRAWING REF
XBMA0002	BAIN MARIE ANVIL - DIVIDER	82-BMC-SS-DCHAN	1
XBMA0032	BAIN MARIE GAS - 1/2 FEMALE ELBOW	7-0.5-ELB-BMA01	2
XFFA8083	GAS FRYER (CE) - TABLE TOP - DRAIN PIPE	6-PIPE-BMA0001	3
XBMA0007	BAIN MARIE ANVIL - COMPLETE TAP	7-DV-BAINMARIE	5
XKNB0035	PILOT LIGHT RED 230V	1-PL-BMA0001	6
XKNB0001	CONTROL KNOB [AXIS] - RED	3-CK-AXIS	7
XKNB0010	CONTROL PANEL FASICA AXIS	3-CPF-AXIS	9
XKNB0027	CONTROL PANEL BEZEL AXIS ENERGY REGULATOR SCALE 0-6	3-CPB-BMA0001	8
XKNB0006	DOMED LOGO LARGE AXIS	4-DL-L-AXIS	10
XBMA0001	BAIN MARIE/URN ANVIL - ENERGY REGULATOR NEW NEW	1-ER-URS0012	11
XBMA0018	BAIN MARIE - CONTROL COVER	82-BMC-MS-CNTCV	14
XBMA0020	BAIN MARIE ANVIL - BOTTOM BRACKET	82-BMC-MS-WLCV	15
XFTA1002	FLAT TOP ANVIL - ADJUSTABLE FEET	3-ADJ-PF	17
XTSA0010	TOASTER ANVIL (TSA1009) - CABLE CLAMP	3-CG-1.5	18
XFFA0006	ANVIL FRYER - CONNECTING BLOCK	3-FF-CB	20
XURS0001	2700W ELEMENT L219 230V THERMODISC-URS/BMA	KEU14	22