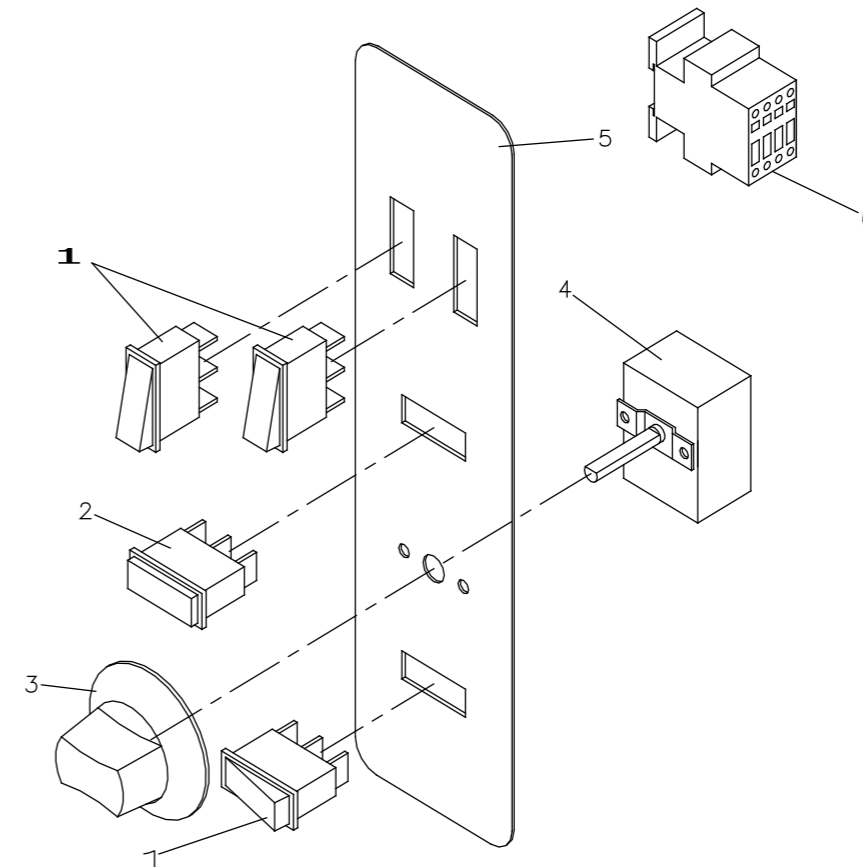
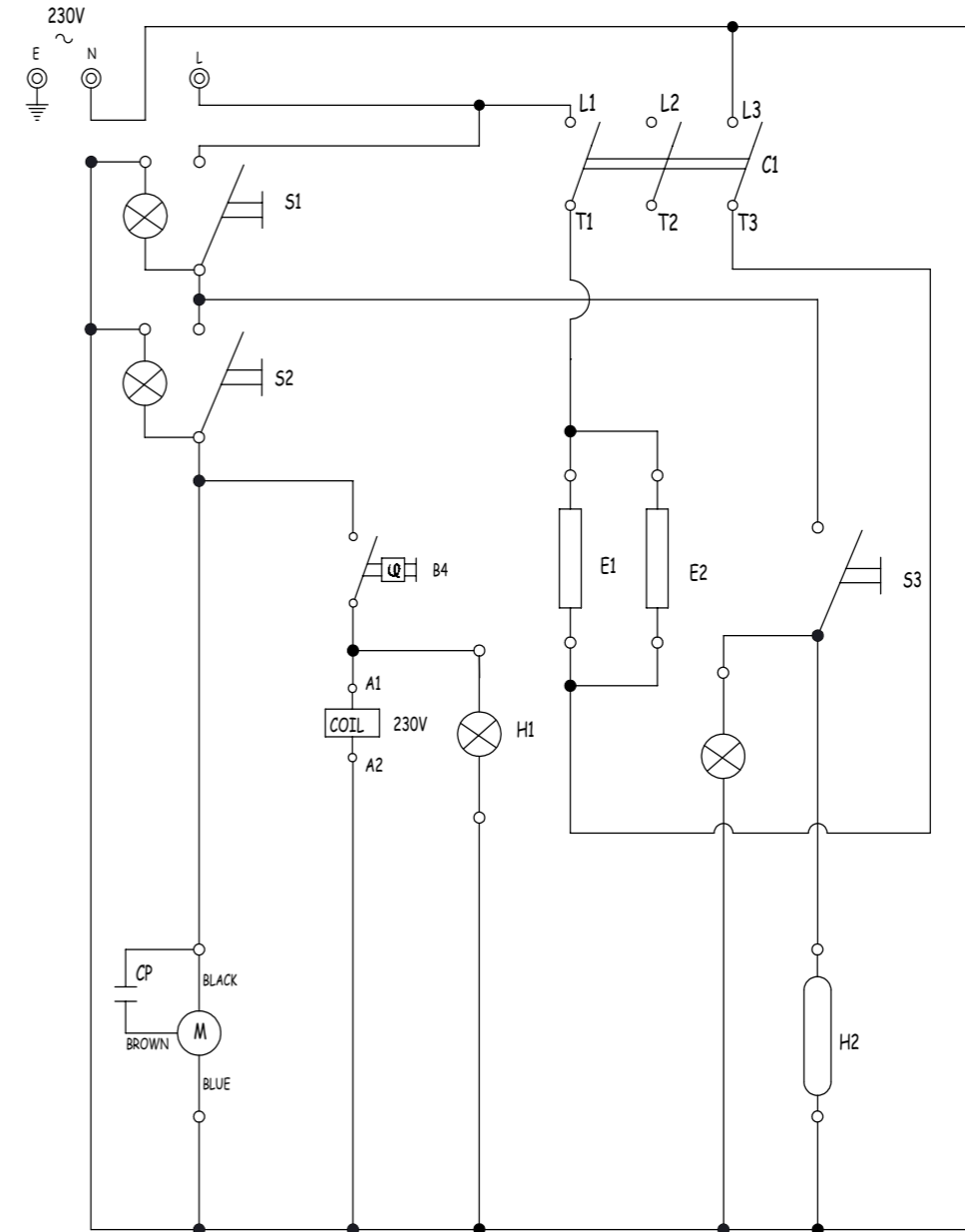
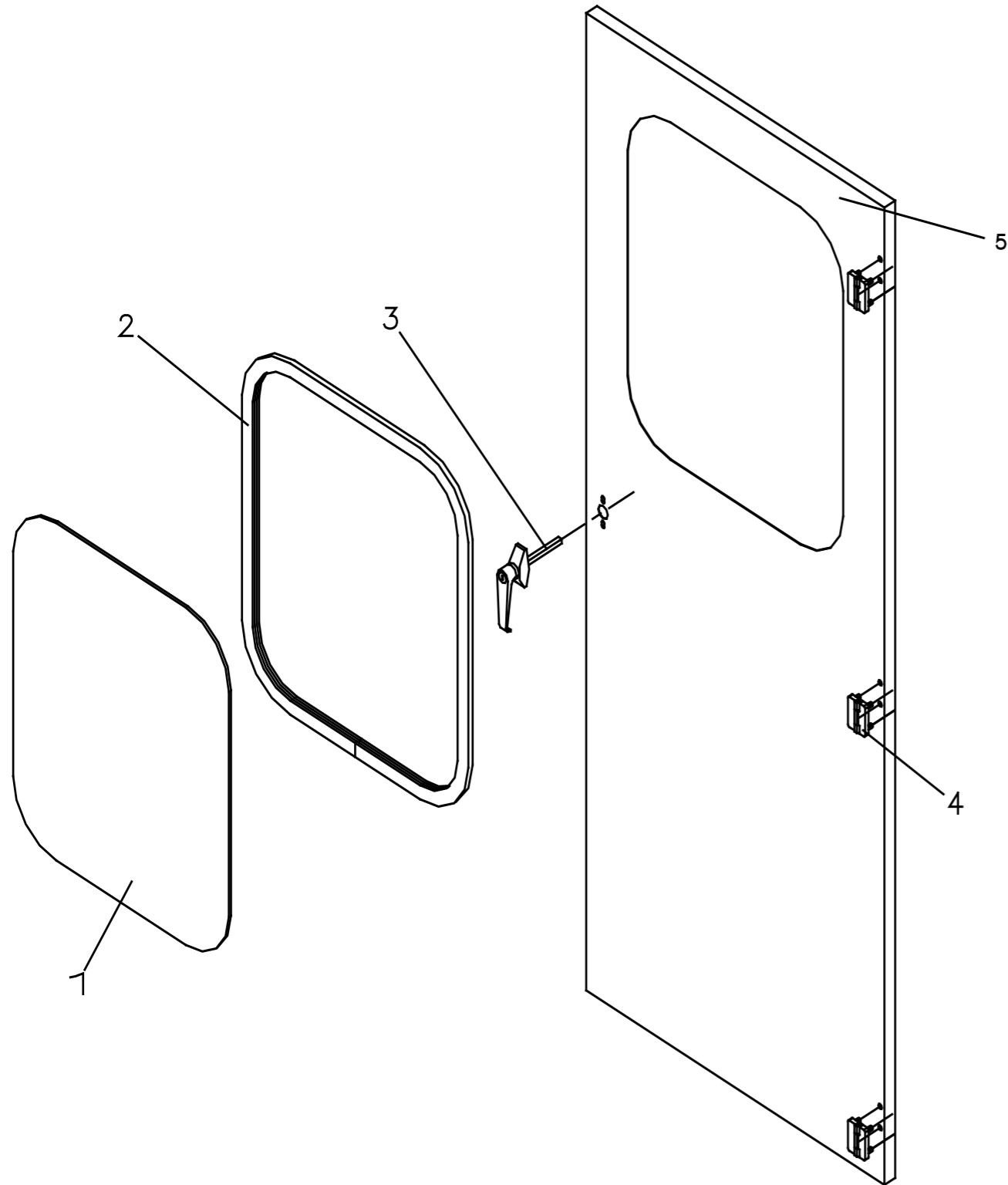


STOCK CODE	DESCRIPTION	MAN.PART NUMBER	DRAWING REF
XBCB0003	BILTONG CABINET B\QUIP - GERMICIDAL LAMP	1-3-UV	2
XBCB0002	BILTONG CABINET B\QUIP - ELEMENT NEW	5-1500W-BILTONG	5
XBCB0009	BILTONG CAB B\QUIP(1250LT)-DRIP TRAY	83-BD-SS-FTTRAY	6
XBCB0005	BILTONG CABINET B\QUIP (1250LT) - RODS	81-BDC-MS-BCROD	9
XBCB0004	BILTONG CABINET B\QUIP (1250LT) - FAN	1-FAN-BCB1250	12
XTSA0010	TOASTER ANVIL (TSA1009) - CABLE CLAMP	3-CG-1.5	13



STOCK CODE	DESCRIPTION	MAN.PART NUMBER	DRAWING REF
XWMW0002	WRAPMASTER MAINS ROCKER SWITCH (3-PIN)	1-17TAF	1
XBCB0008	BILTONG CAB B\QUIP(1250LT)-PILOT LIGHT	1-18TRF	2
XBCJ0005	COOKER B\QUIP [JNR] - COOK THERMOSTAT	1-EGO-50	4
XBCB1010	BILTONG CABINET - FACIA PANEL	4-SP66-CM	5
XCOA7011	CONVECTION OVEN ANVIL-CONTACTOR	1-220V-CONT-32A	6

20



STOCK CODE	DESCRIPTION	MAN.PART NUMBER	DRAWING REF
XBCB0010	BILTONG CAB B\QUIP(1250LT)- HANDLE	7-DH-BC-90	3
XBSB2110	BANDSAW B/QUIP- HINGE (NEW TYPE)	7-PH-BH	4