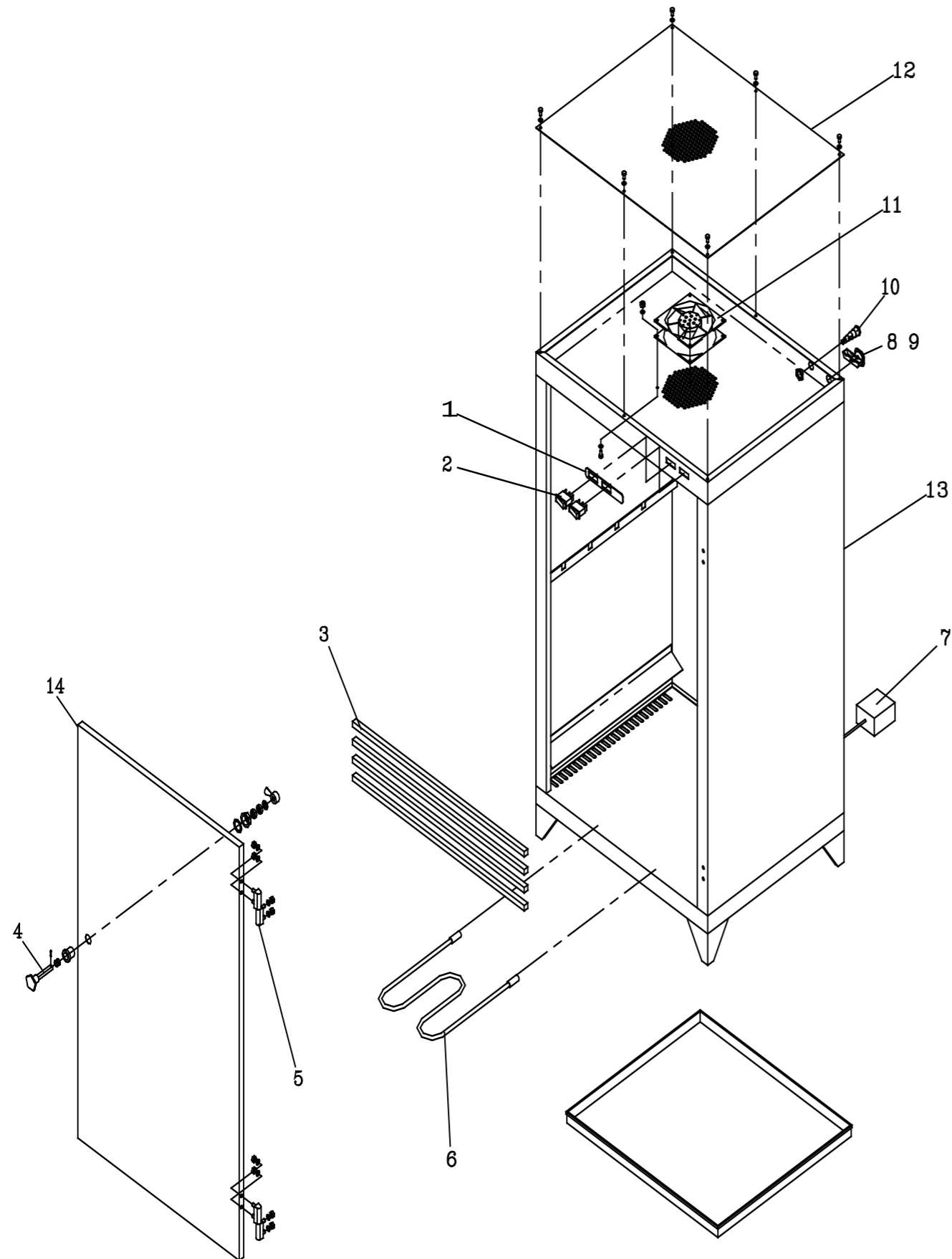


BCB0245

BCB0245



STOCK CODE	DESCRIPTION	MAN.PART NUMBER	DRAWING REF
XBCB1005	BILTONG CAB B\QUIP [MINI] - SWITCH	1-17TAF	2
XBCB1004	BILTONG CAB B\QUIP [MINI] - MINI BILTONG ROD - GALV	8-MBIL-ROD-1	3
XBCB1001	BILTONG CAB B\QUIP [MINI] - ELEMENT	5-750W-M/BILTON	6
XTSA1001	TOASTER ANVIL (TSA1009) - THERMOSTAT	1-EGO-150	7
XTSA0010	TOASTER ANVIL (TSA1009) - CABLE CLAMP	3-CG-1.5	8
XPMA0017	CREPE MACHINE - POWER CORD	2-PC-CE-CP	9
XBCB1003	BILTONG CAB B\QUIP [MINI] - FUSE HOLDER	1-15-FH	10
XBCB1002	BILTONG CAB B\QUIP [MINI] - FAN	1-FAN-BCB0245	11

